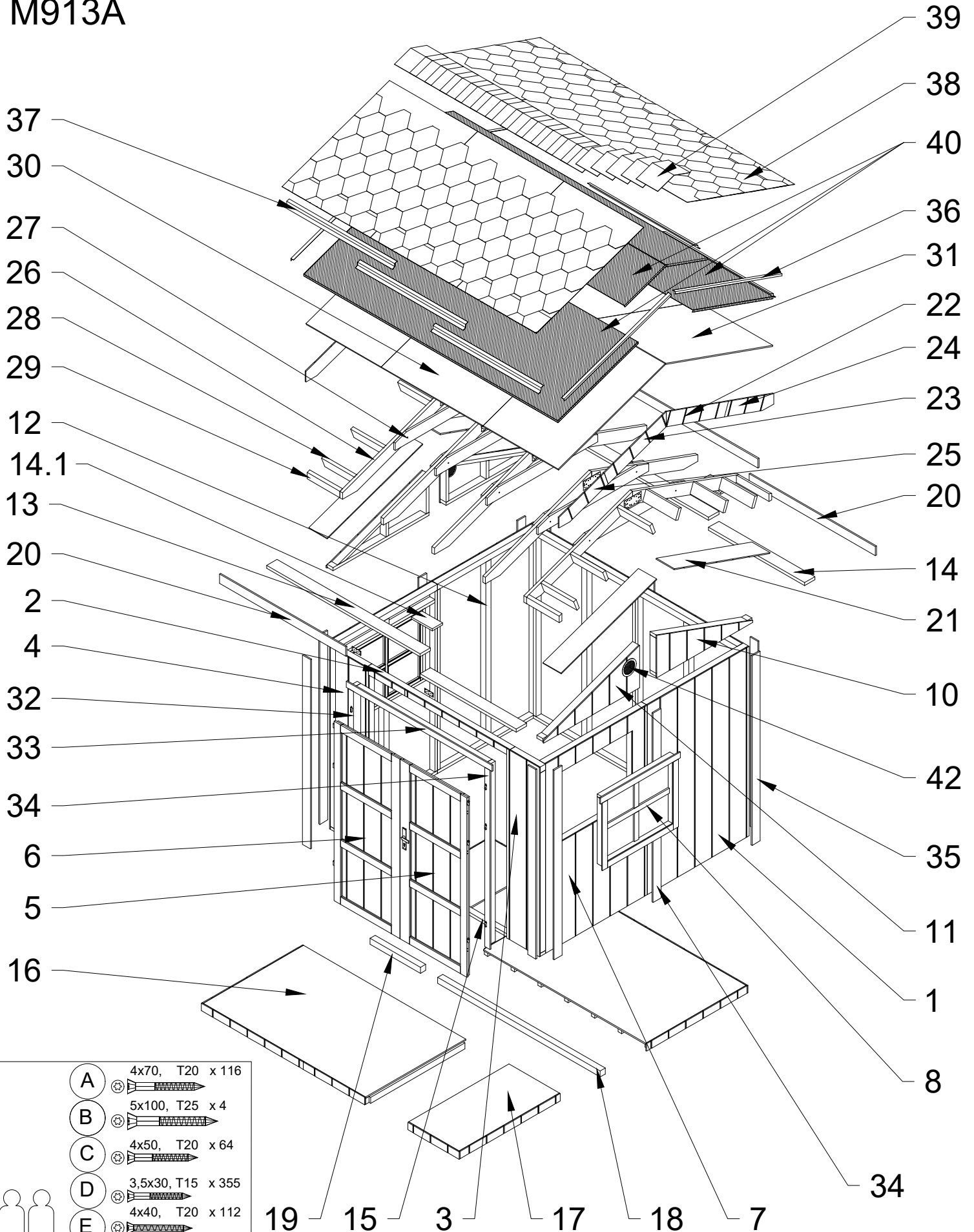
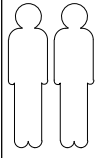


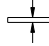
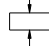
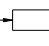
M913A


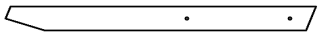
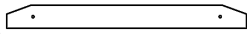

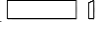
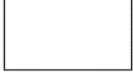

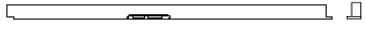


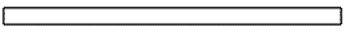
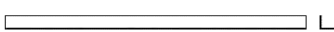


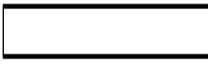
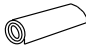


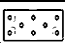
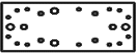




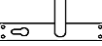


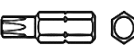

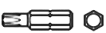


- A 4x70, T20 x 116
- B 5x100, T25 x 4
- C 4x50, T20 x 64
- D 3,5x30, T15 x 355
- E 4x40, T20 x 112
- F 3,1x15 x 2 pack
- G 3x12 x 6
- H 10x50 x 10
- I 10x90 x 10

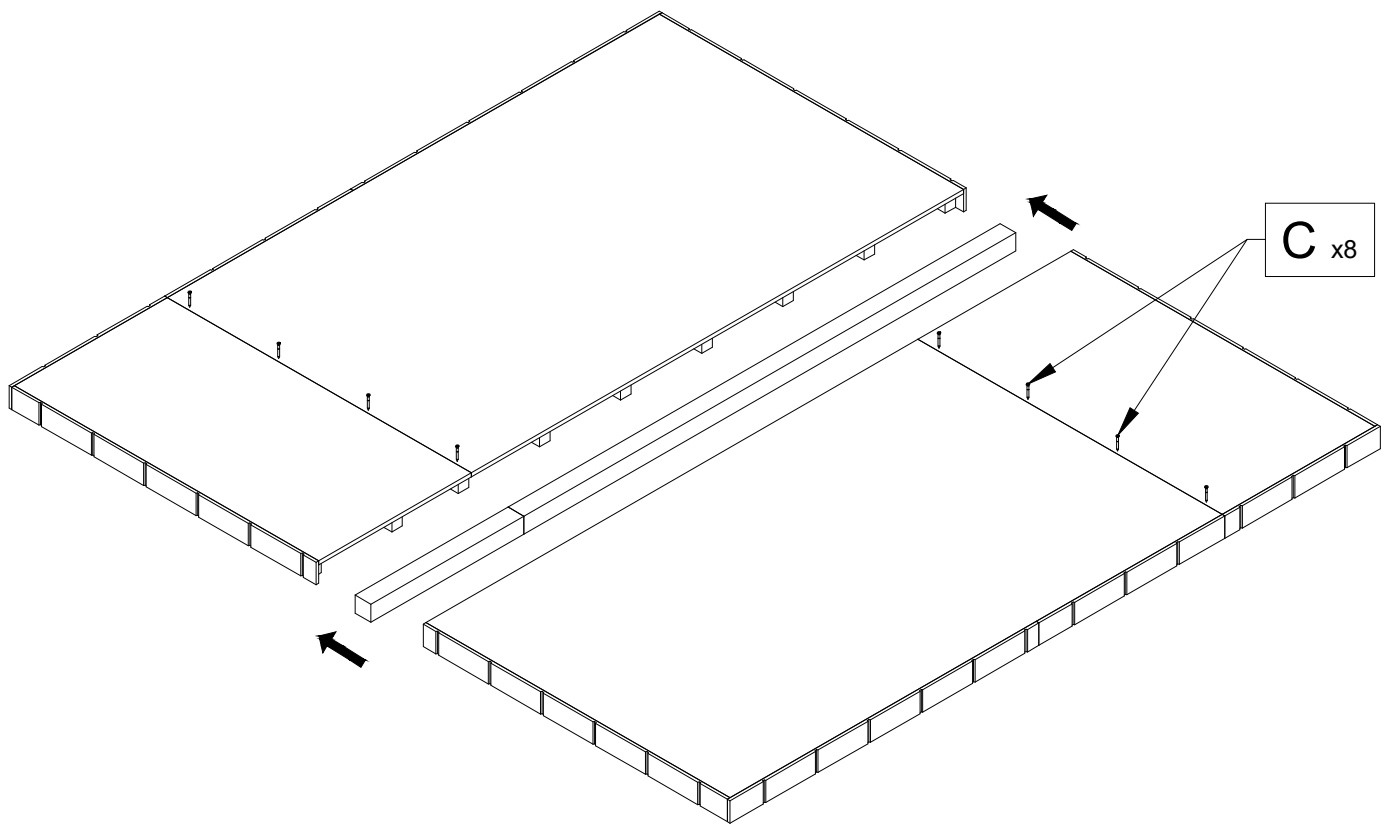
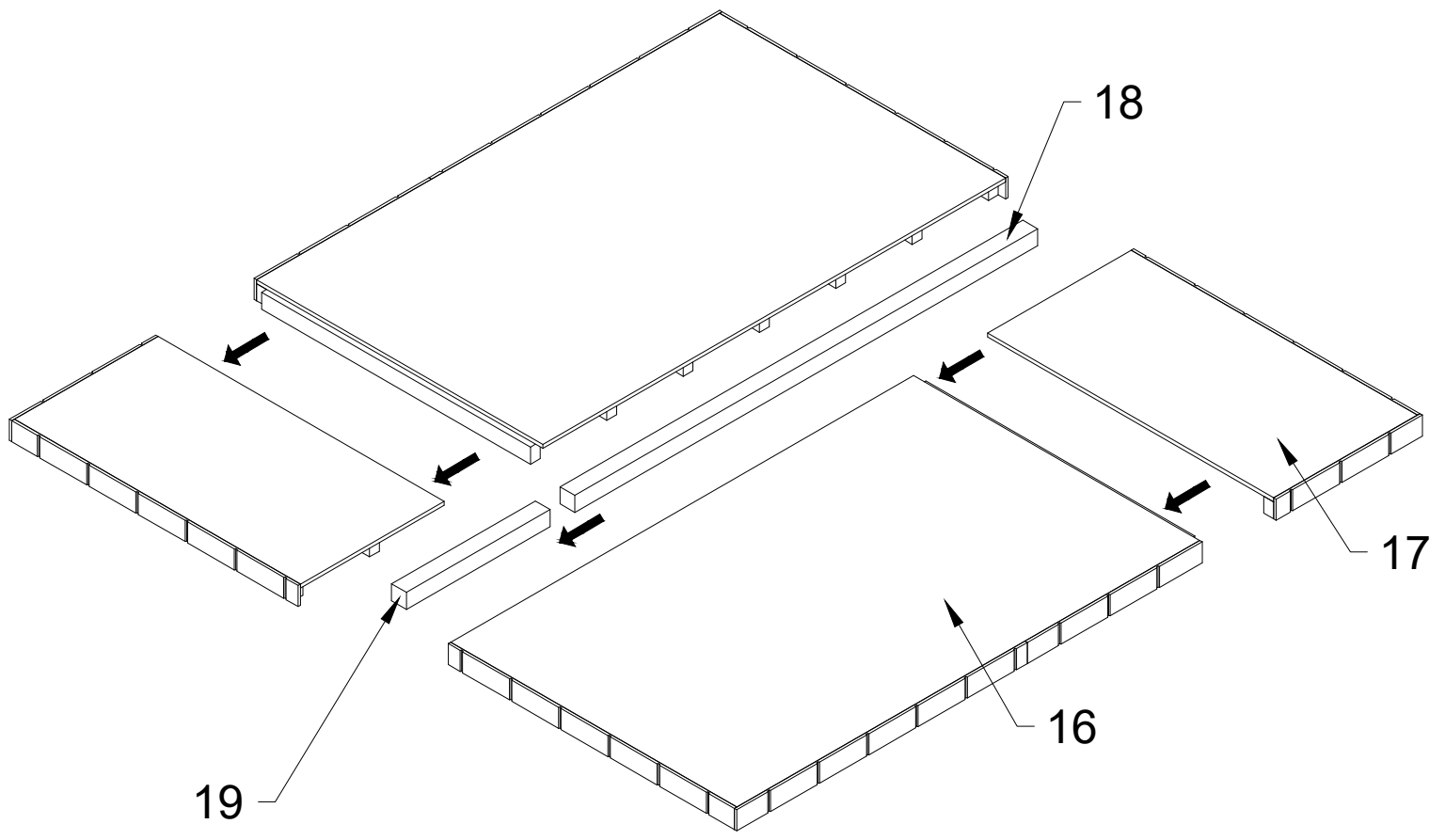


19 15 3 17 18 7

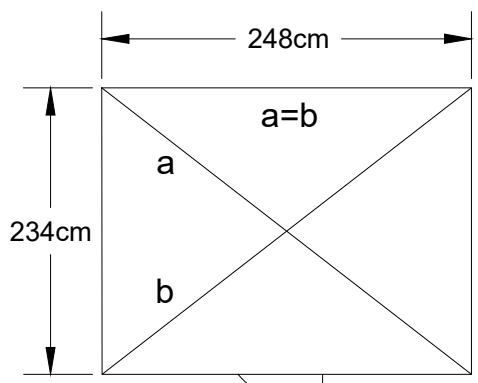
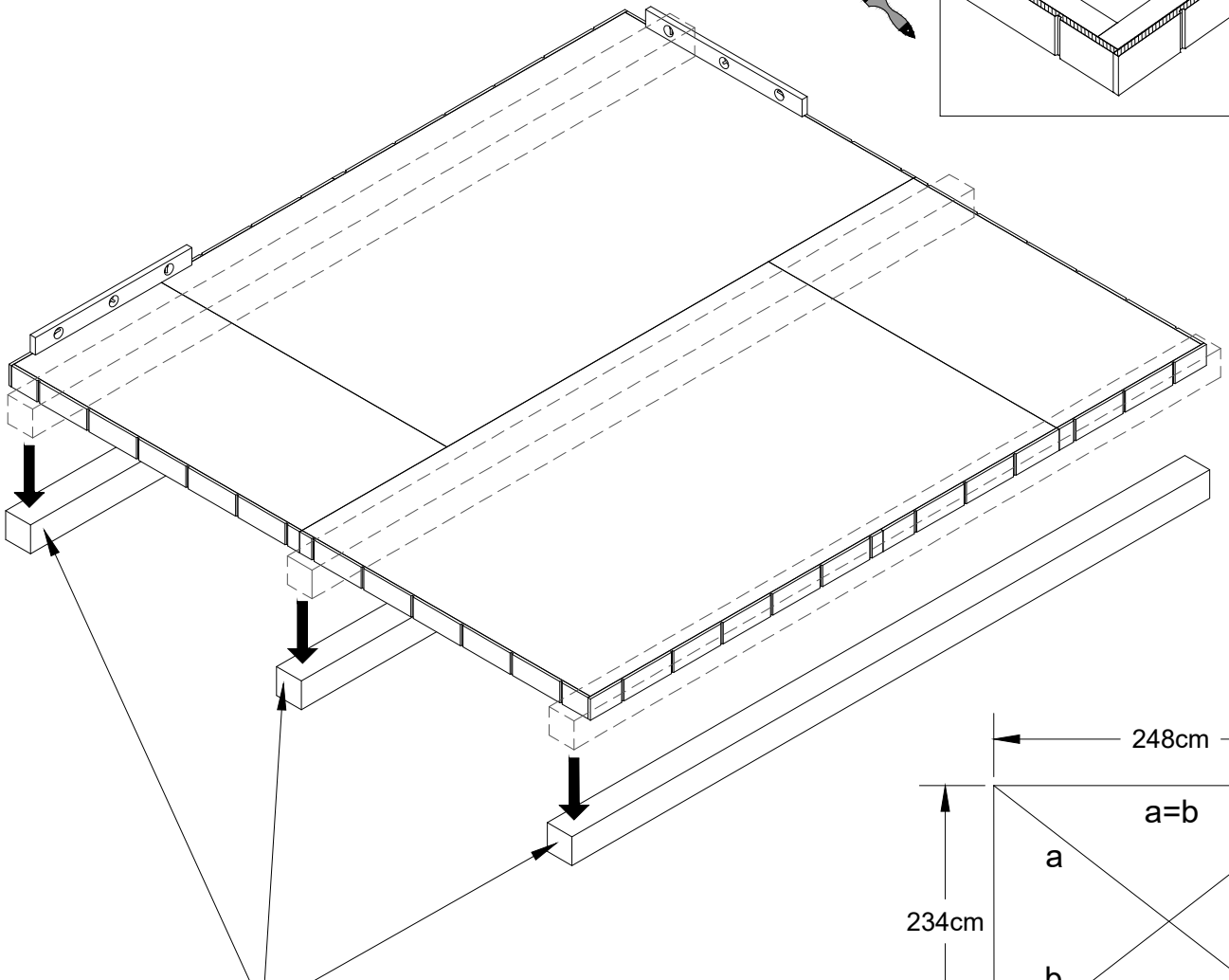
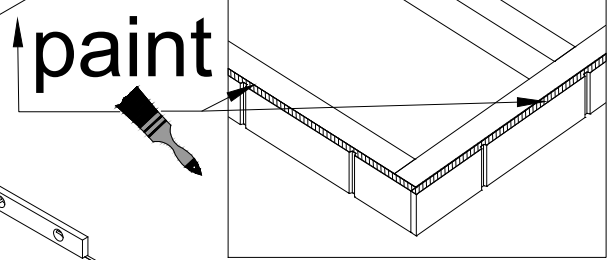
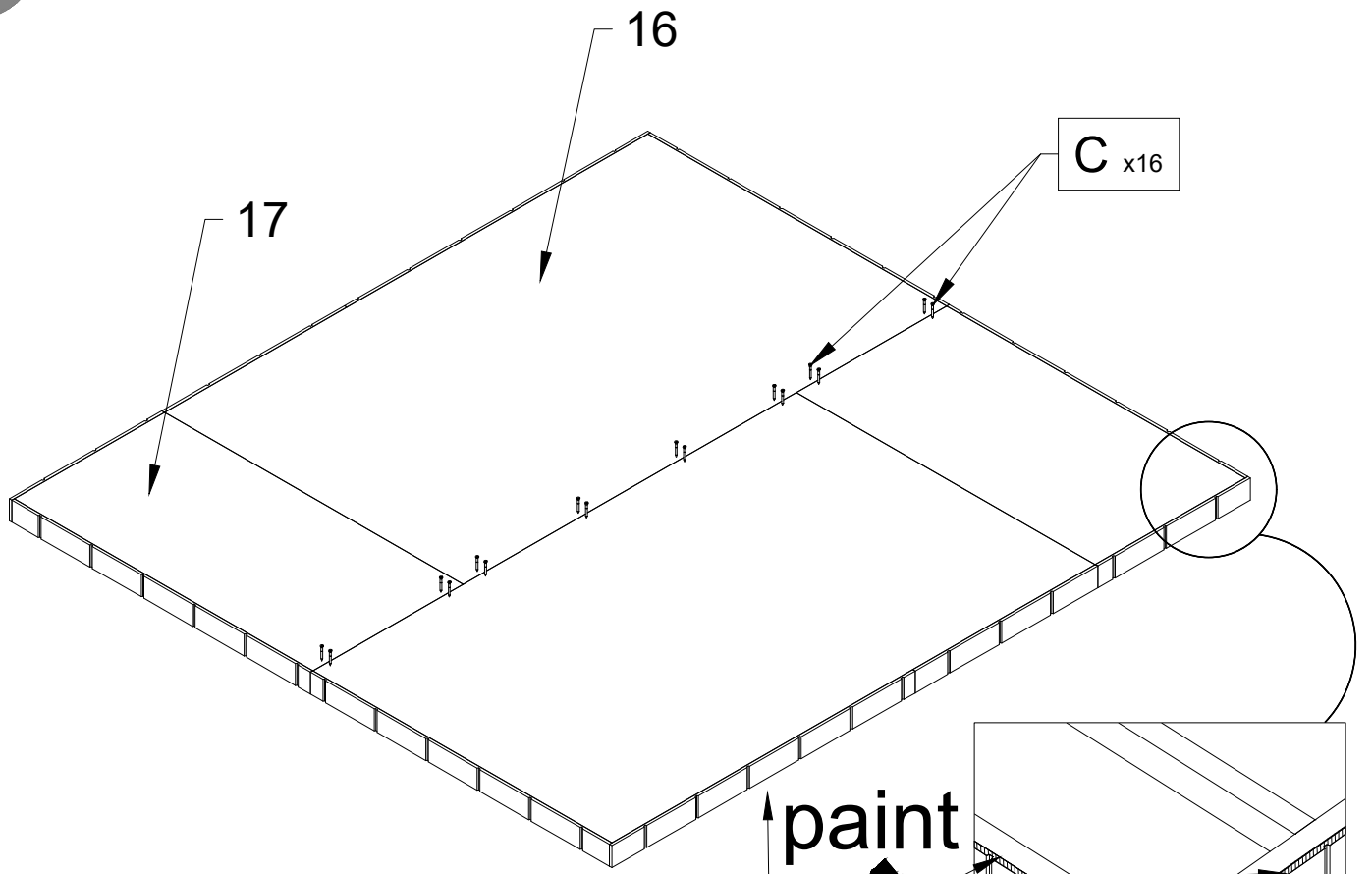
№	PCS			
		mm	mm	mm
1	4		1180	1900
2	1		60	1660
3	1		380	1900
4	1		380	1900
5	1		772	1801
6	1		772	1801
7	2		1180	1900
8	1			
9	1			
10	2		425	1110
11	2		425	1110
12	4	60	60	1810
13	2	20	120	1740
14	2	20	120	1180
14.1	2	20	120	240
15	1	30	57	1600
16	2	Skydai	1172	1910
17	2	Skydai	1172	594
18	1	60	60	1880
19	1	60	60	584
20	4	13	92	1460
21	4	10	200	1177
22	2	10	142	767
23	2	10	142	767
24	2	10	142	590

25		2	10	142	590
26		10	30	120	1330
27		8	20	120	1280
28		12	30	110	380
29		4	30	75	380
30		2	12	1180	1317
31		4	12	870	1317
32		1	60	82	1839
33		1	60	82	1839
34		1	60	82	1688
35		11	13	92	1900
36		4			1660
37		6			12520
38		3			
39		7			
40		3		1m	3,33m
41		1			
42		2			
43		4	MP100x40		
44		10	MP100x340		
45		10	MK60x60x40		
46		6			
47		6			
48		1			
49		1			
50		2			
51		1			
52		1			
53		1			
54		1			

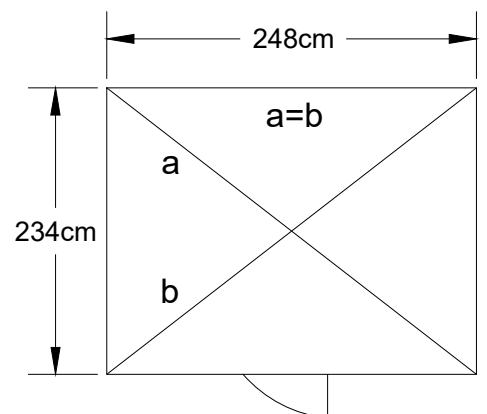
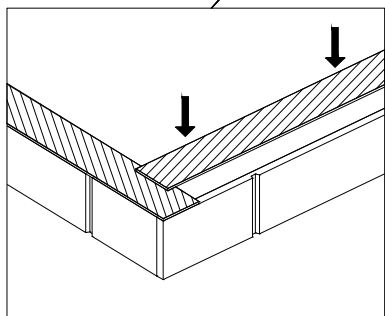
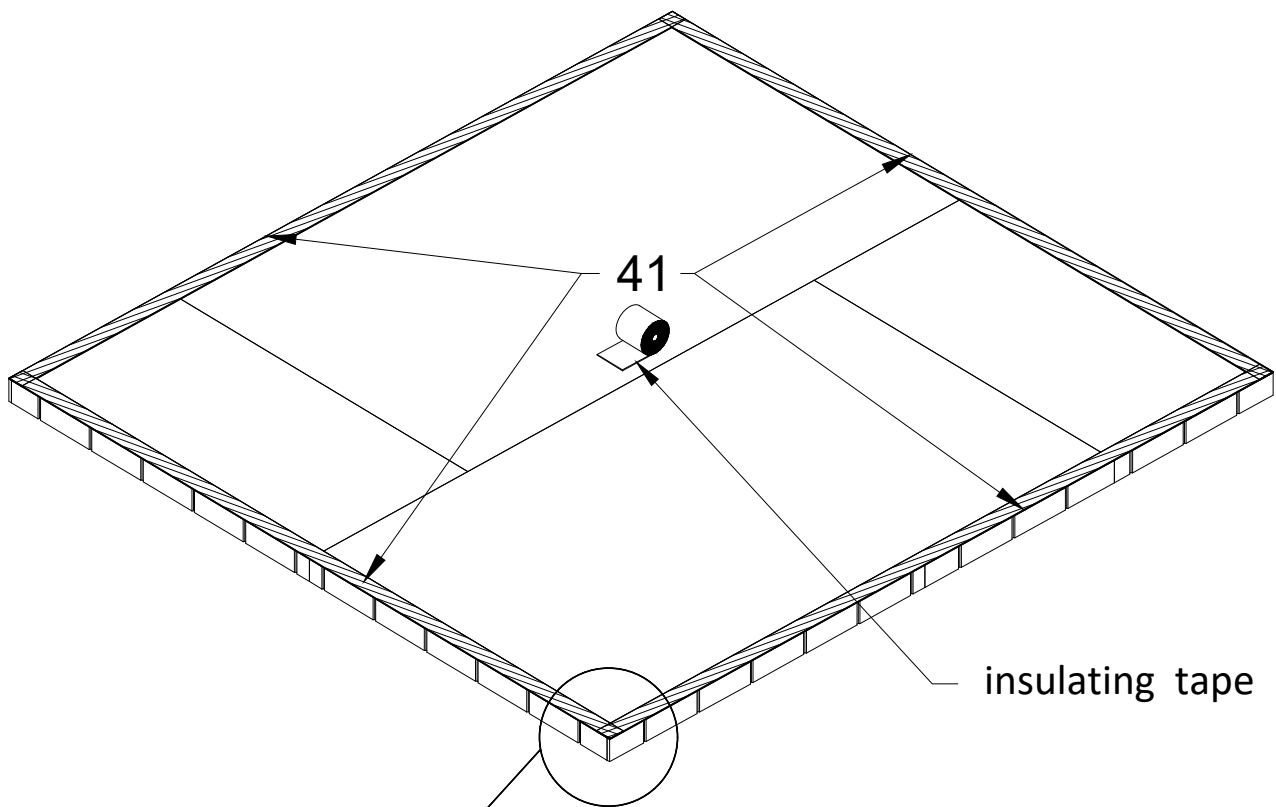
1



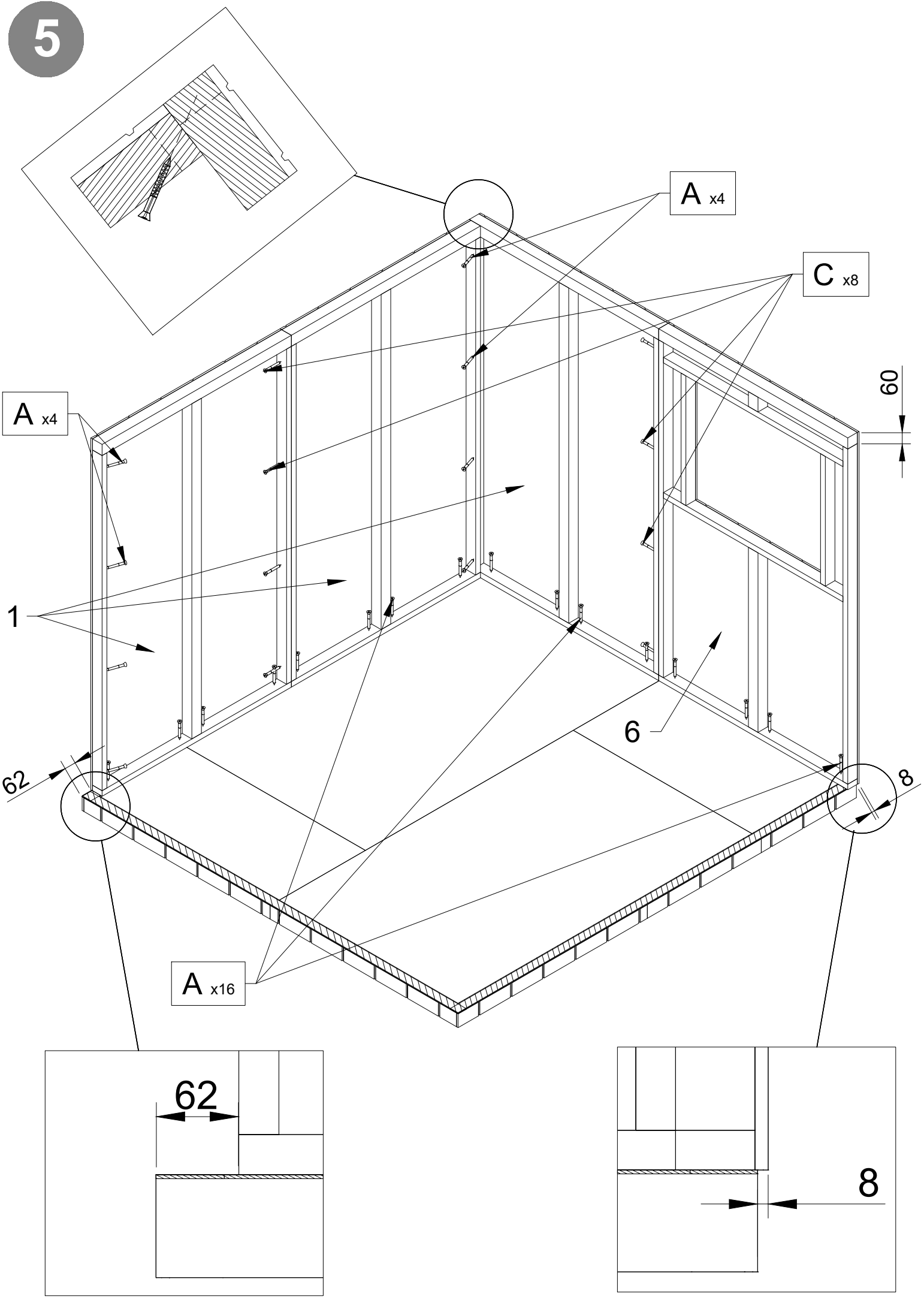
2



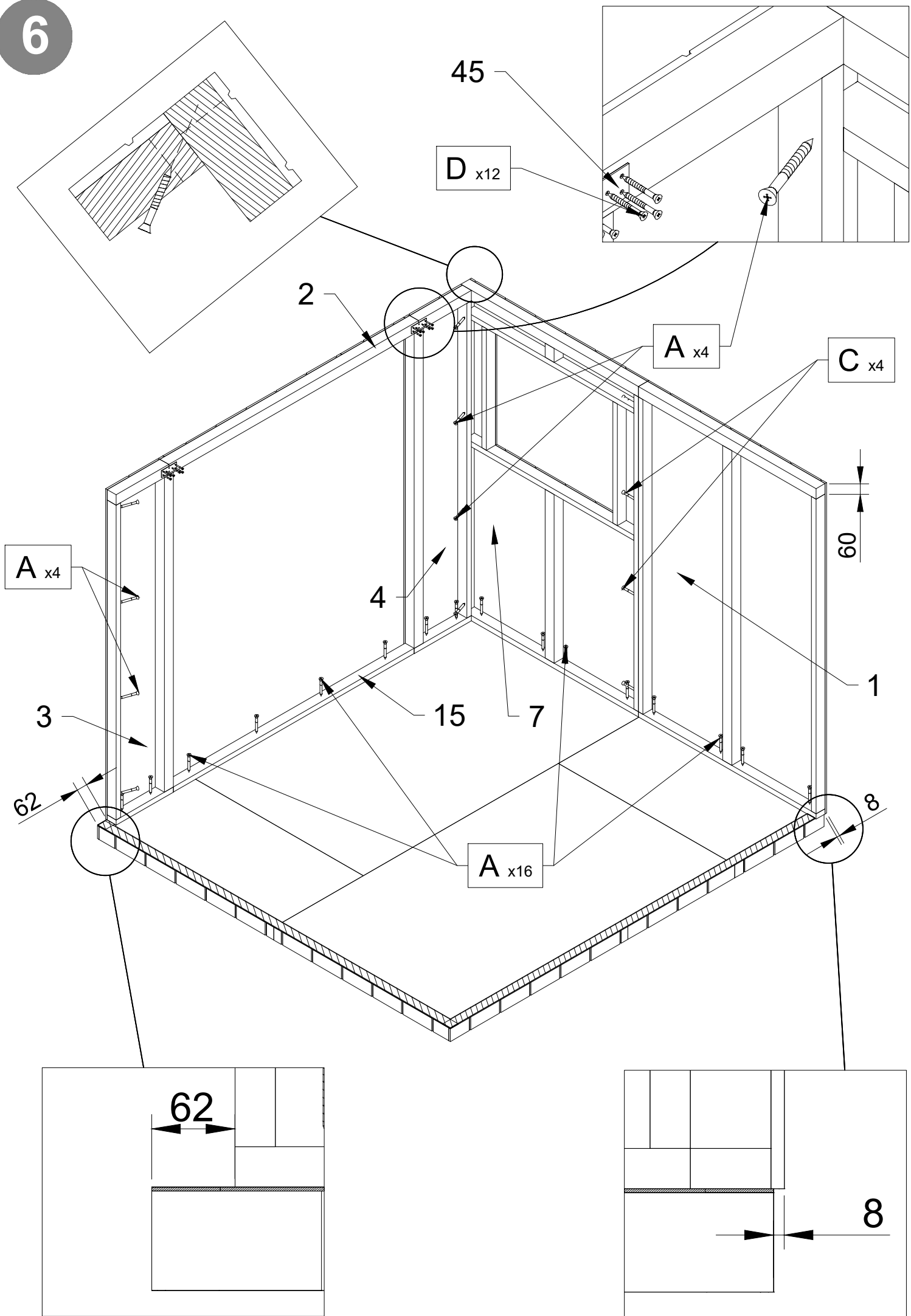
3



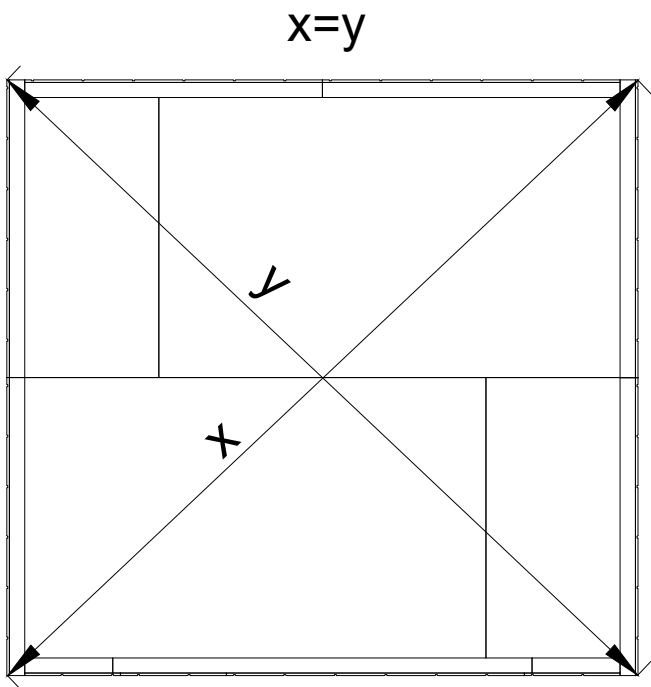
5



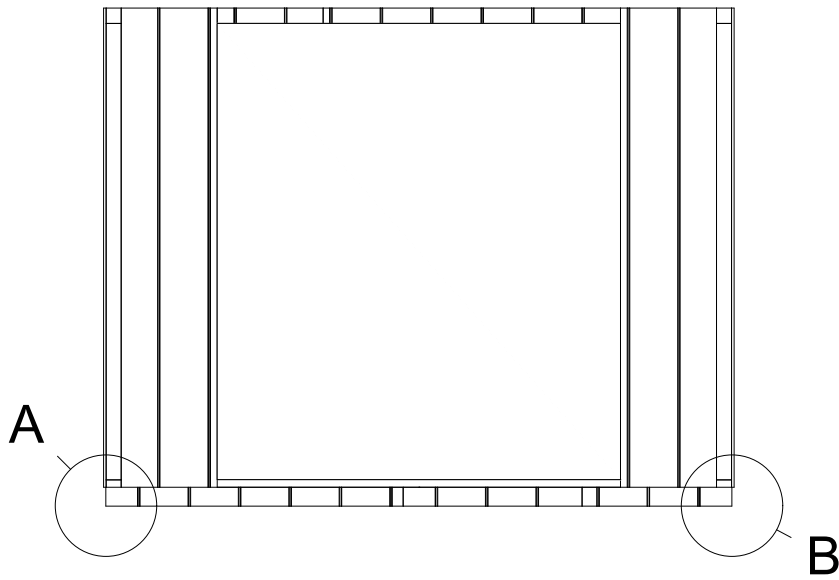
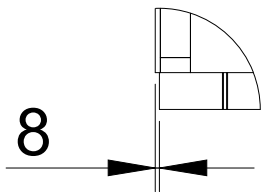
6



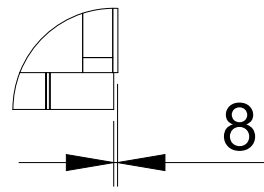
7



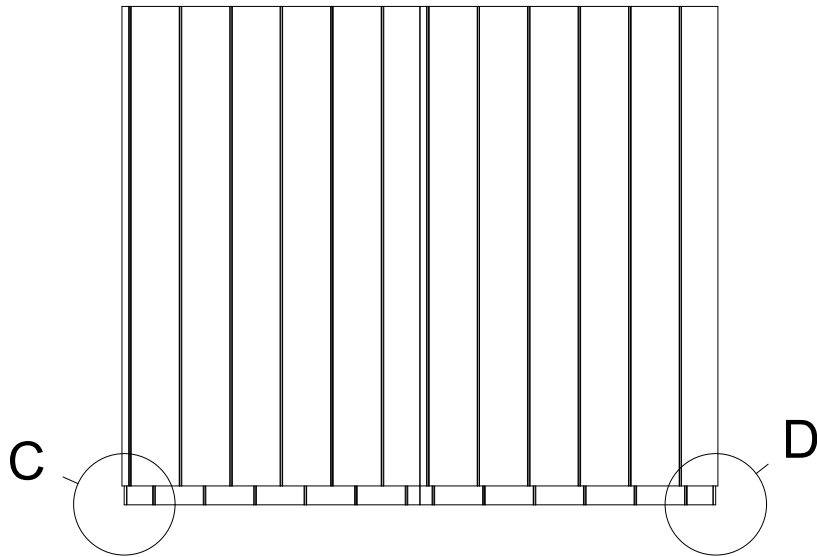
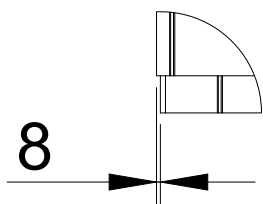
Det A



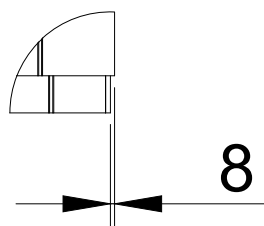
Det B



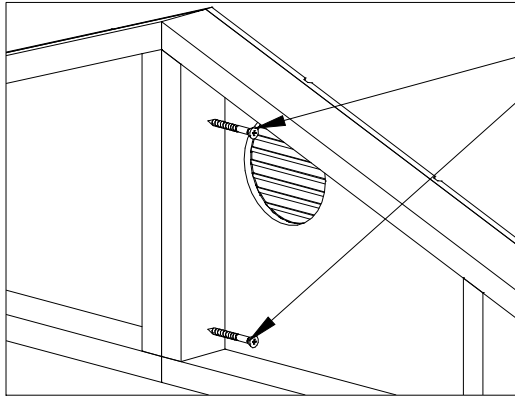
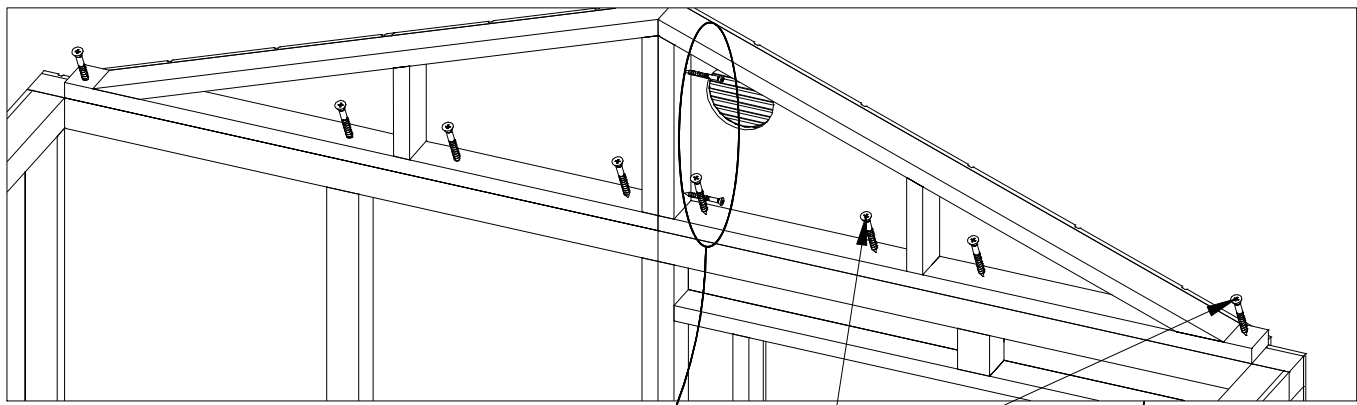
Det C



Det D



8



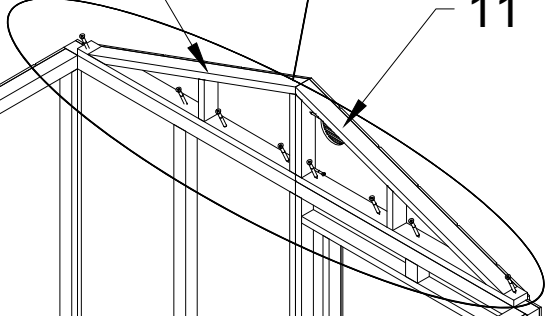
C x4

A x16

10

11

11

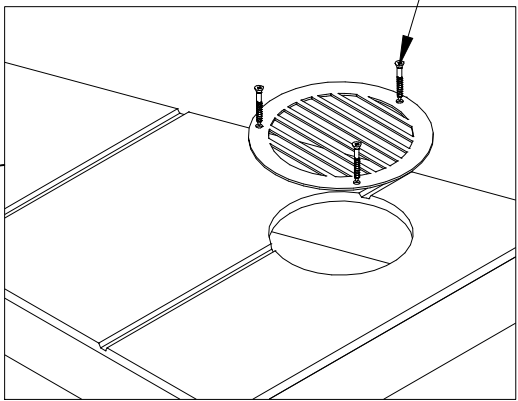
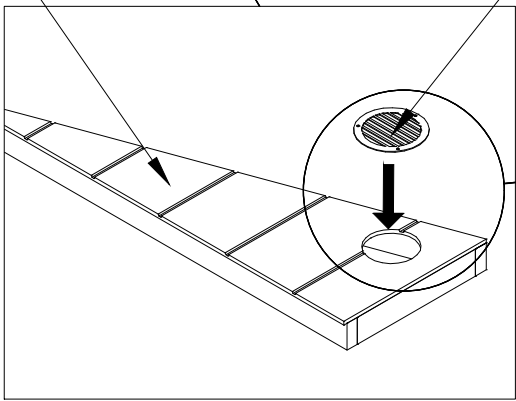


10

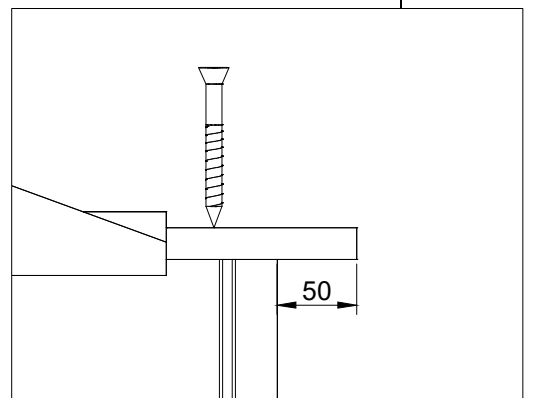
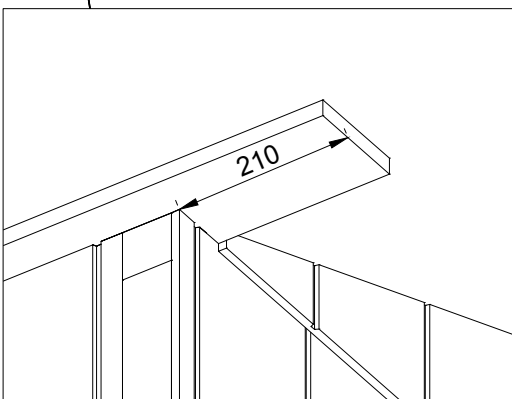
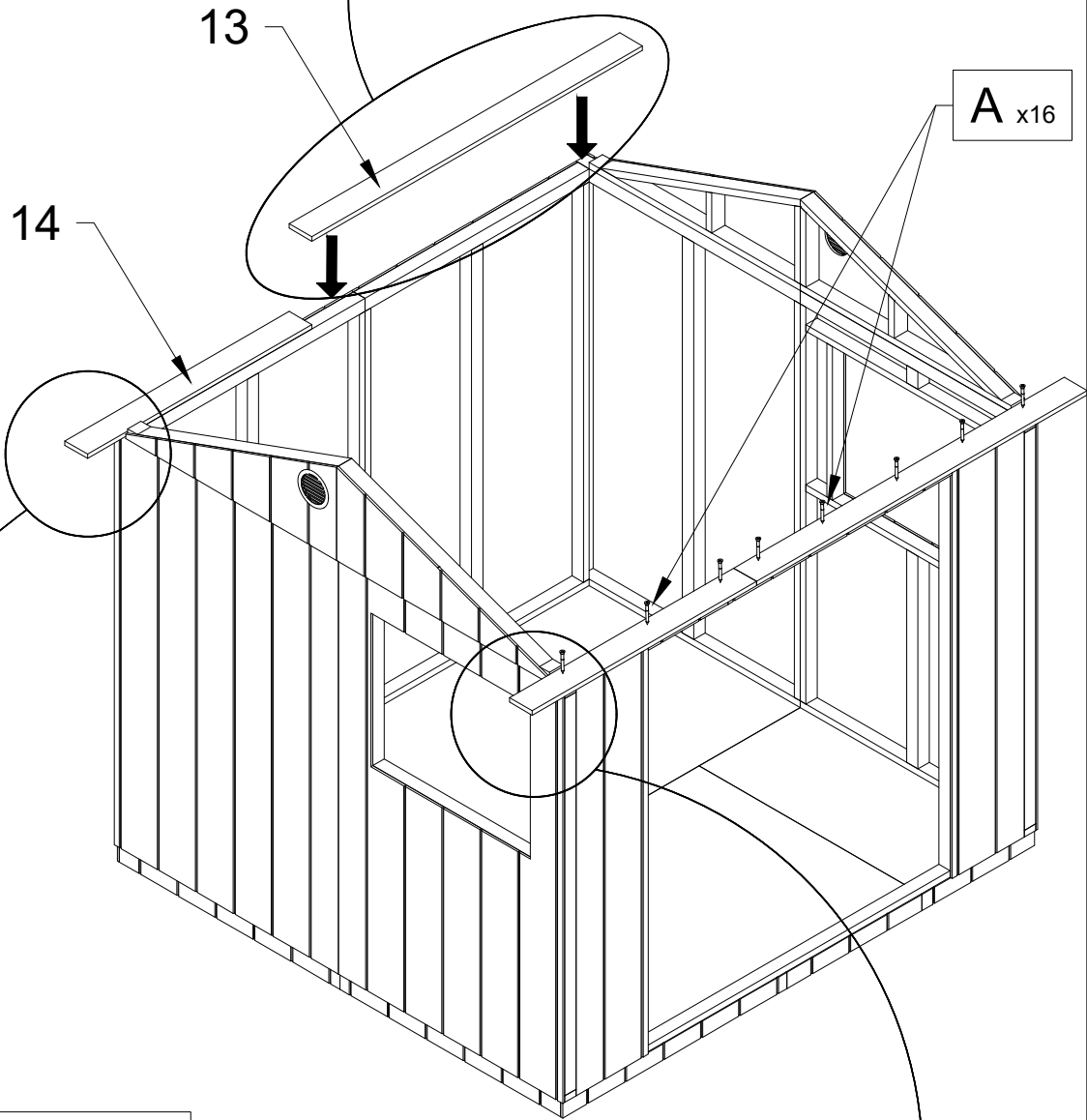
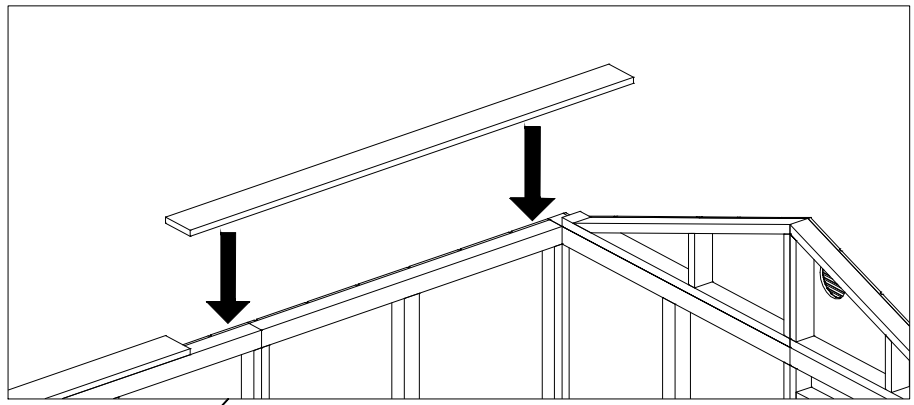
11

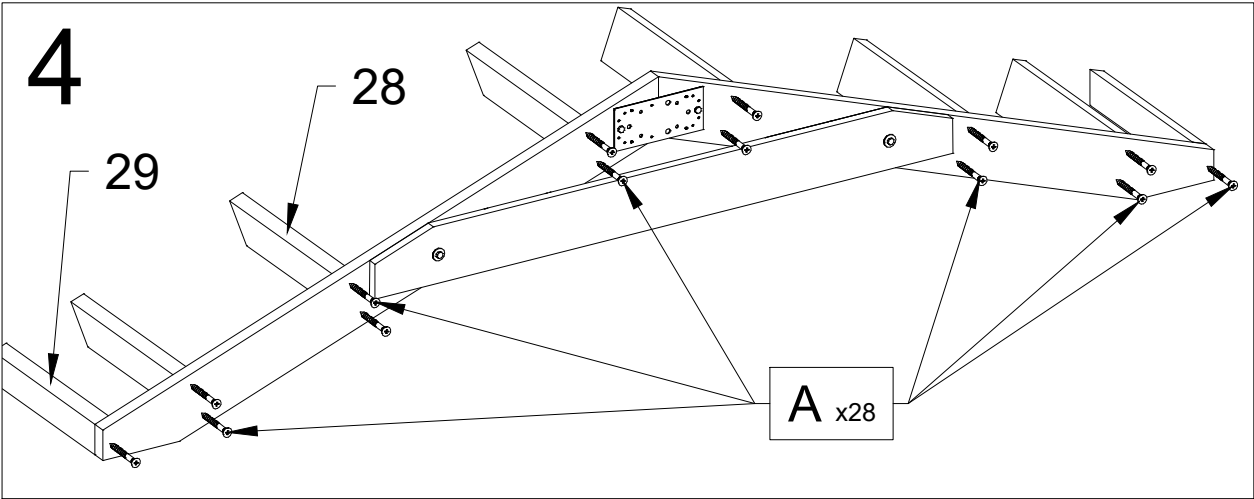
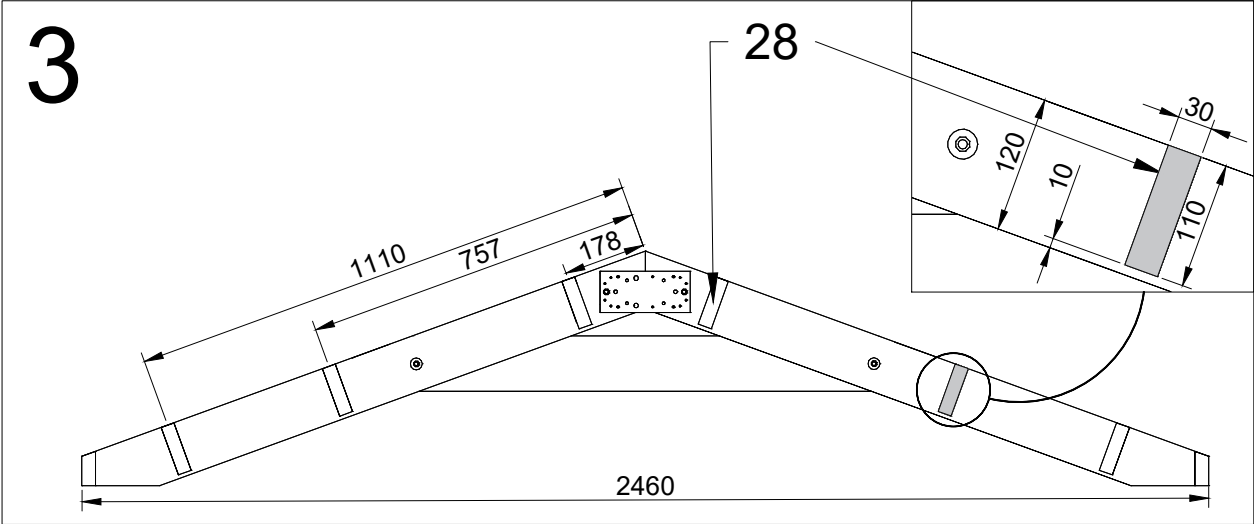
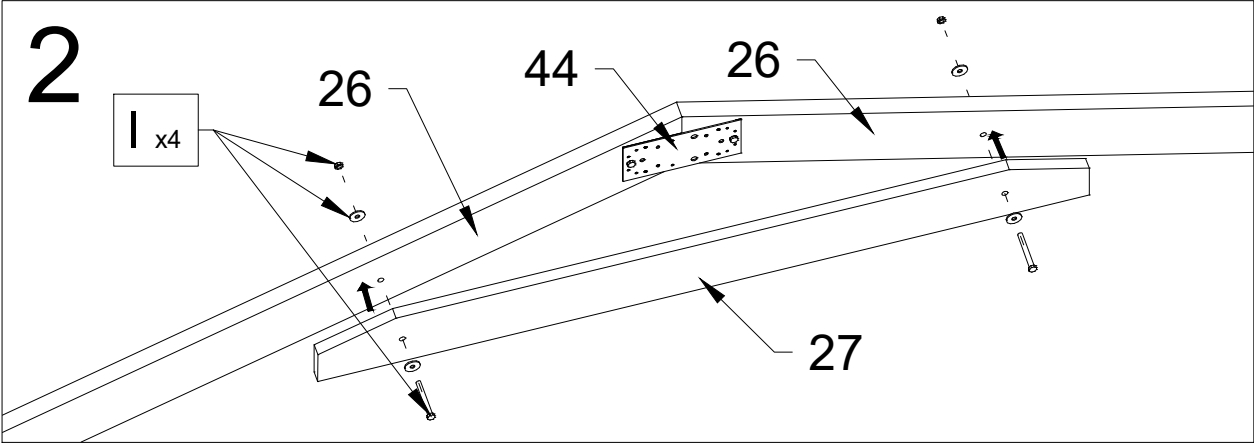
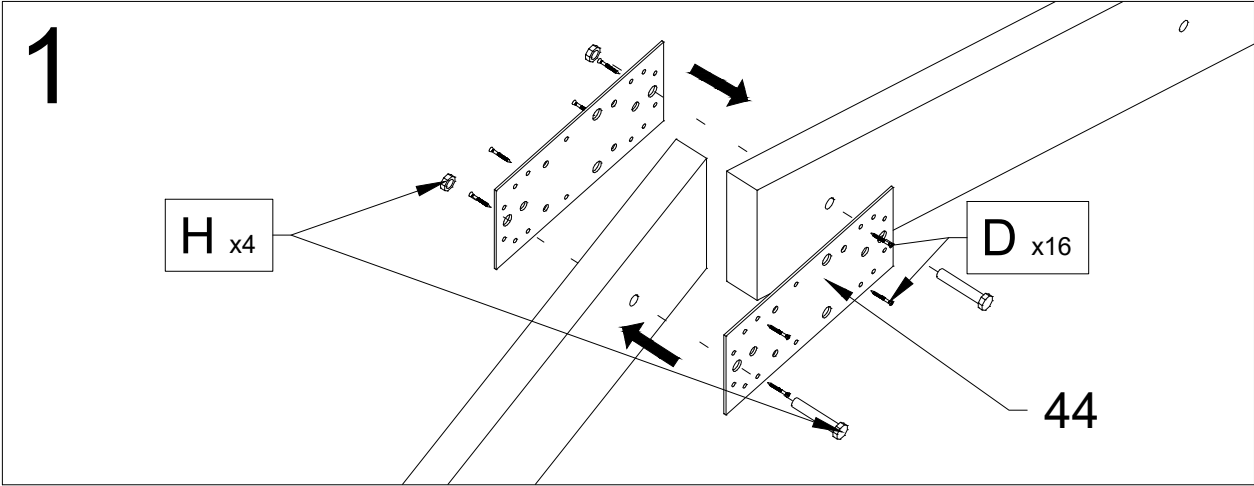
42

G x6

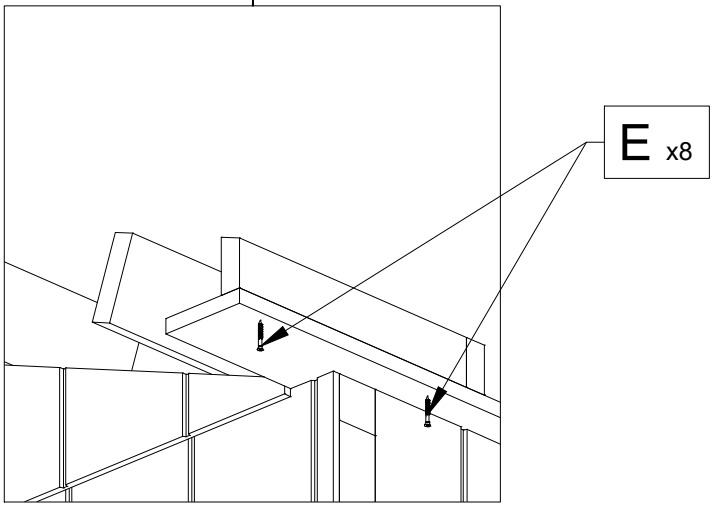
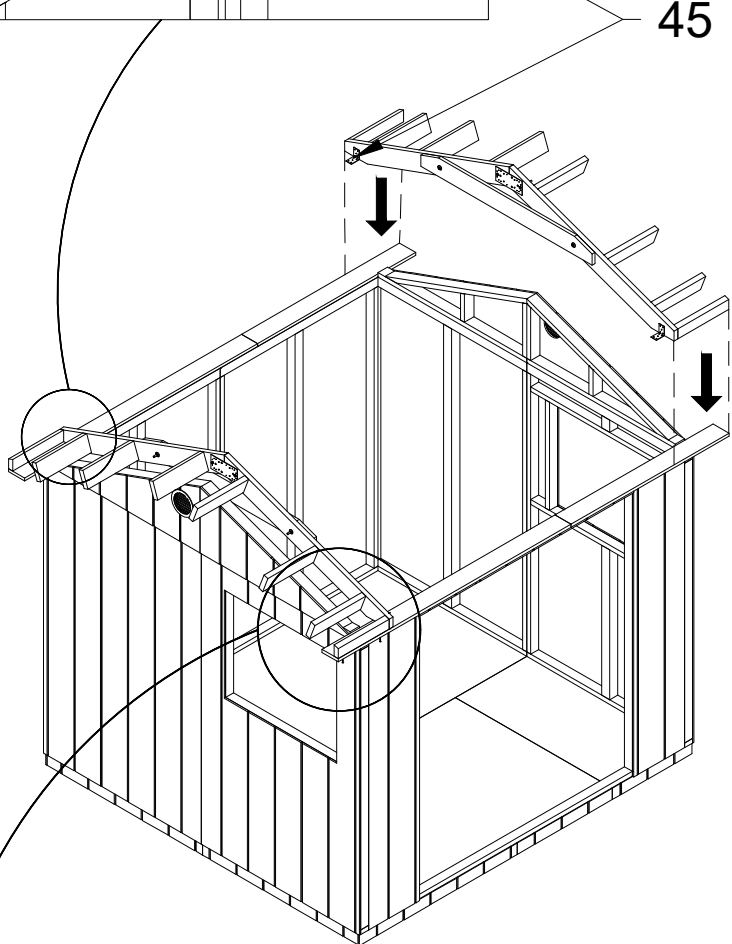
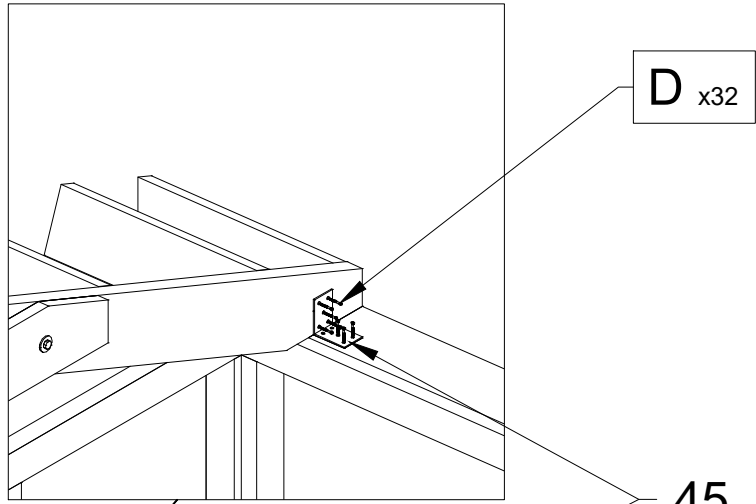


9

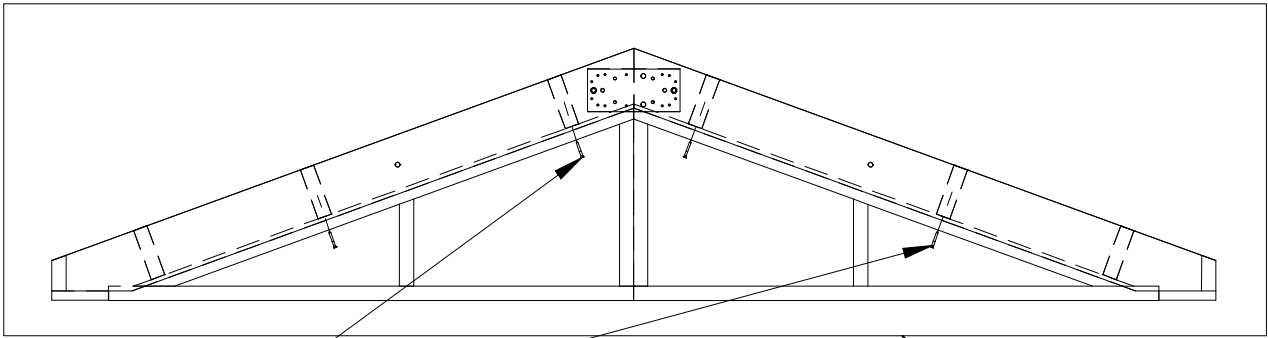




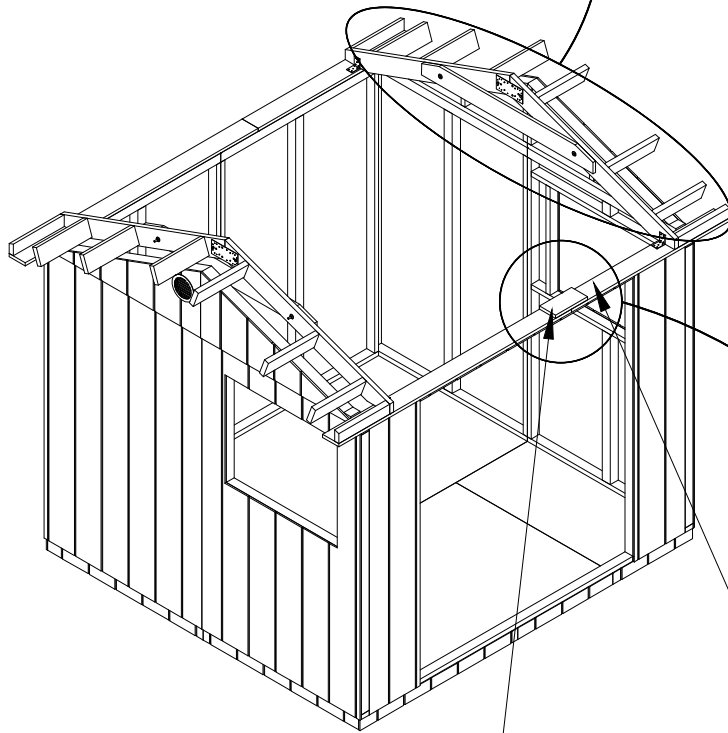
11



11.1

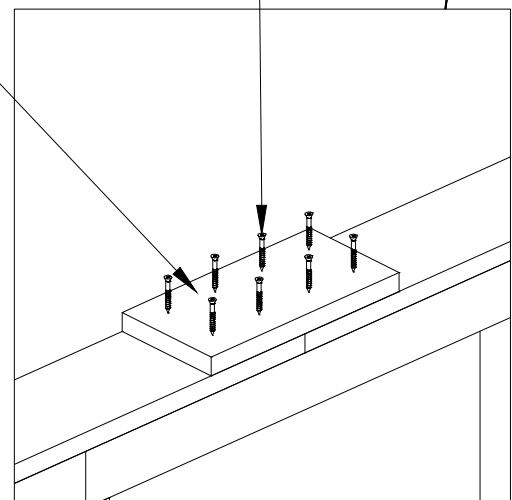


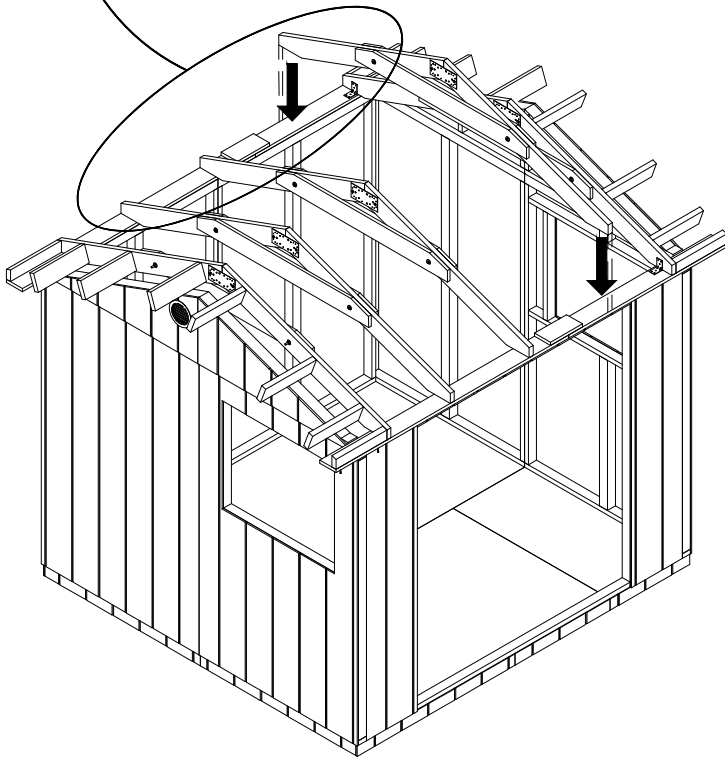
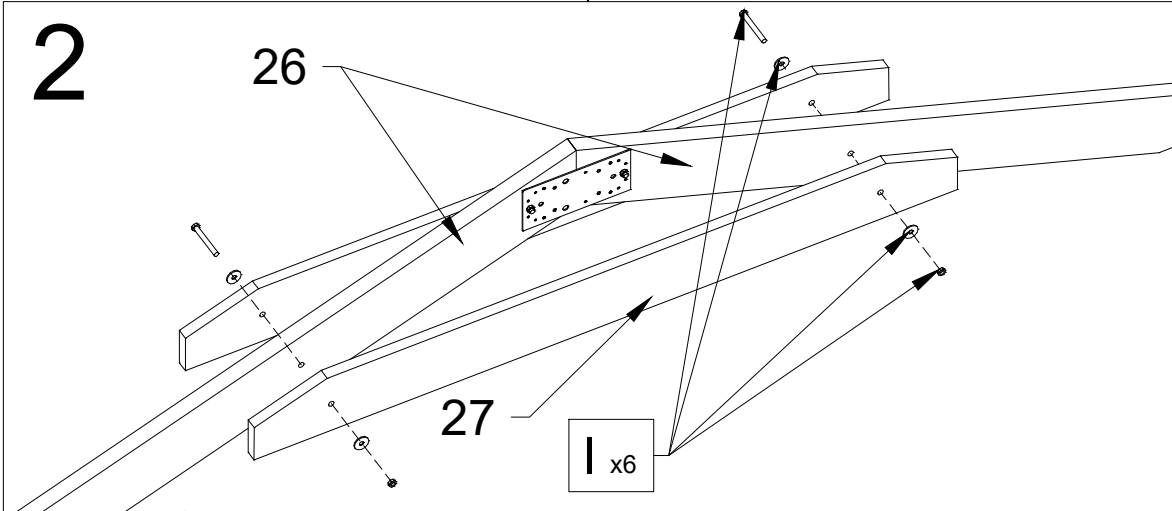
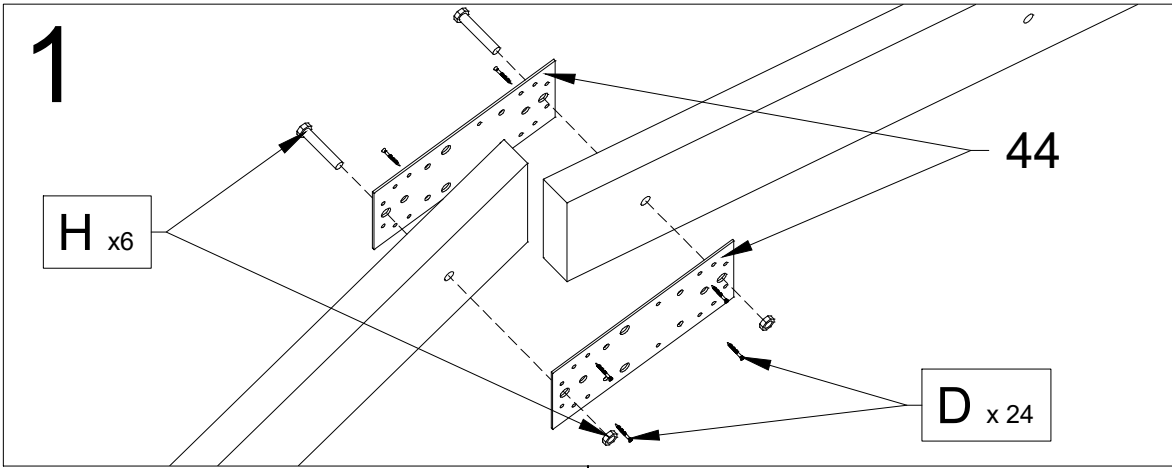
A x8



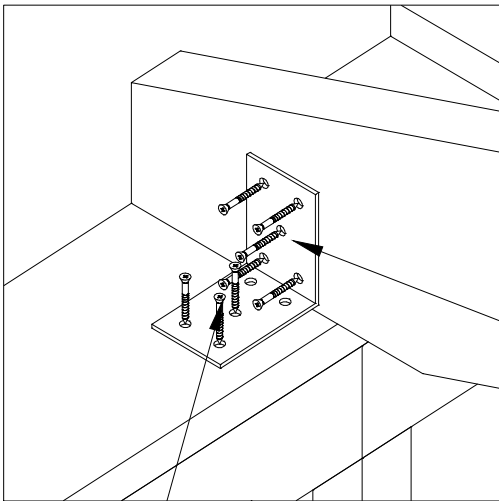
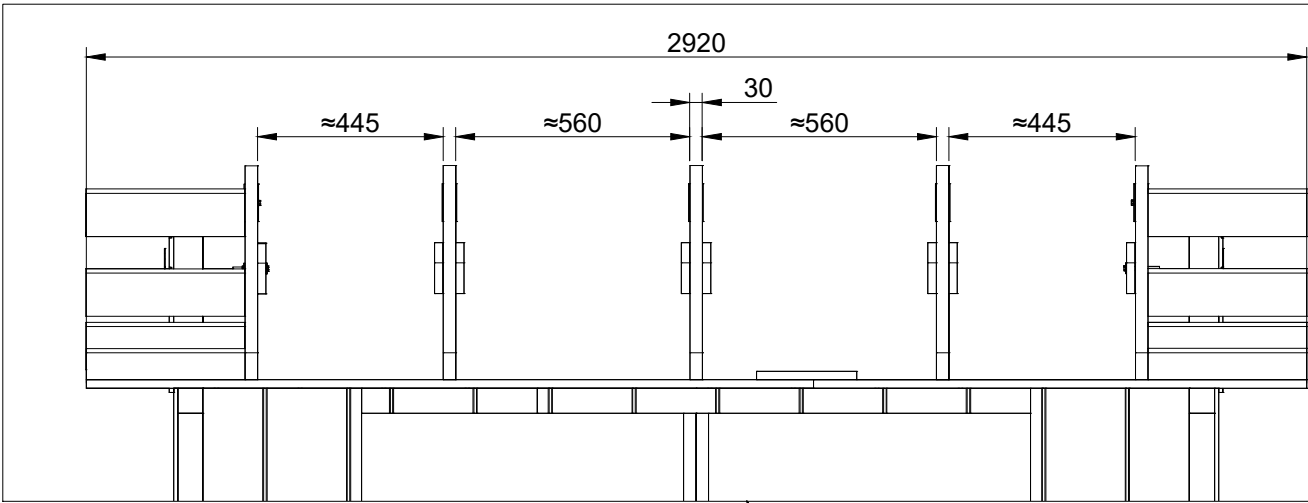
D x16

14.1



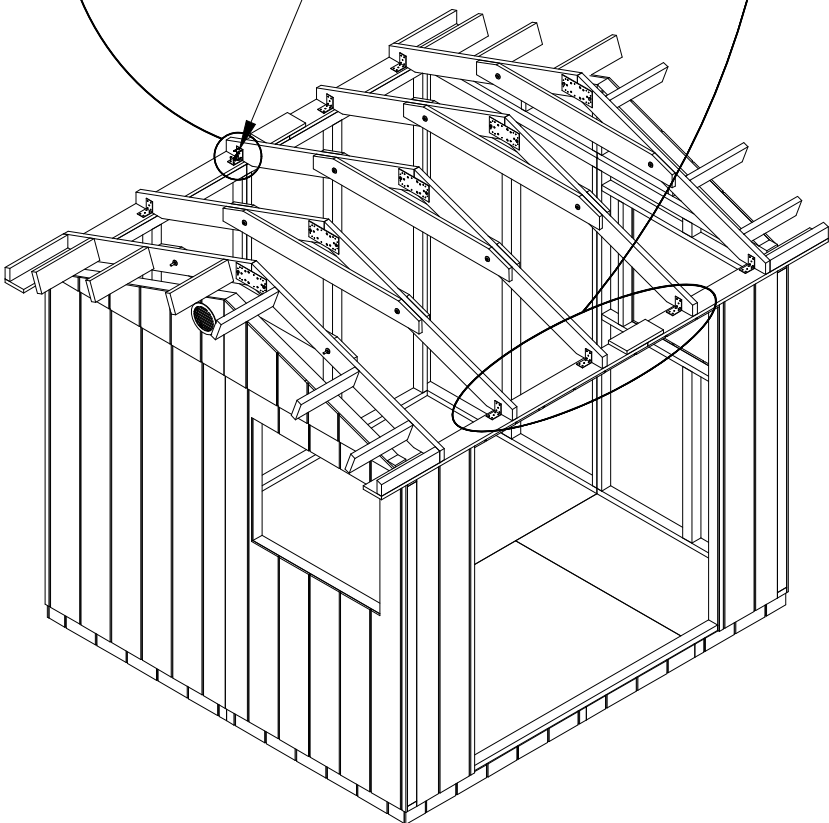


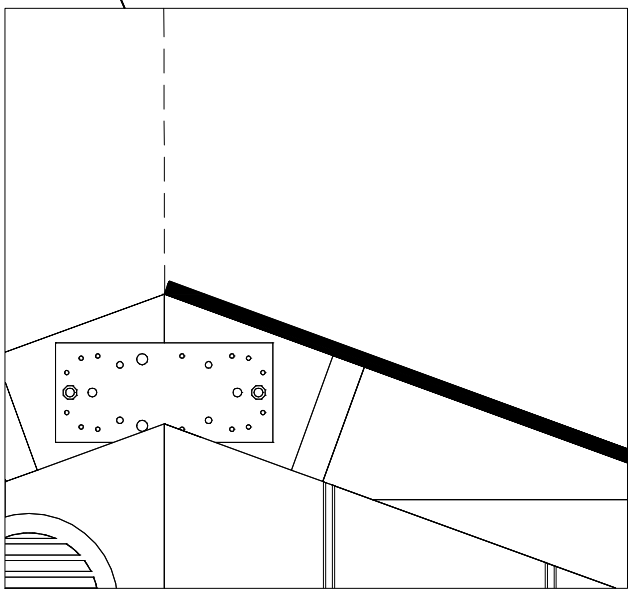
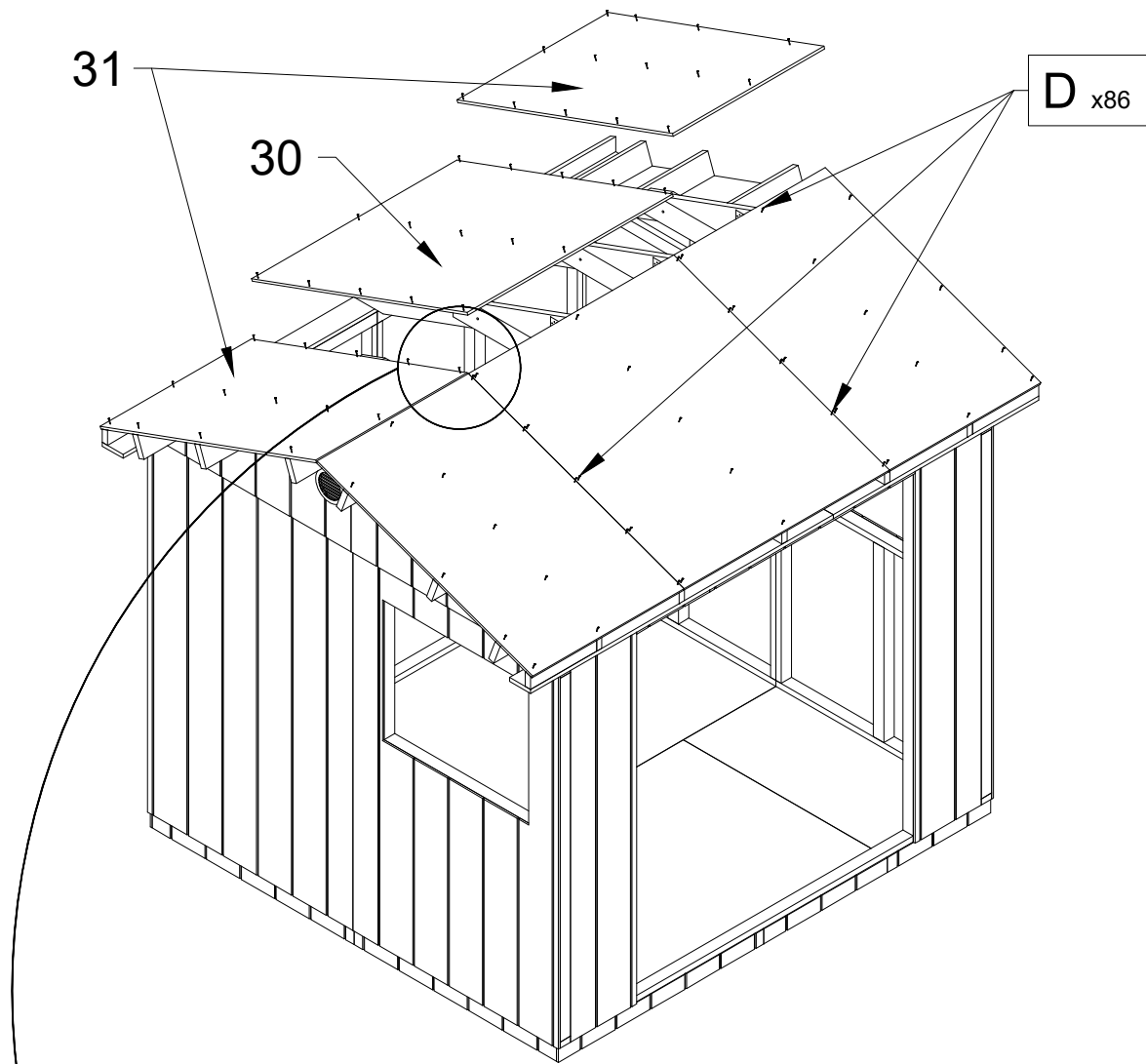
13

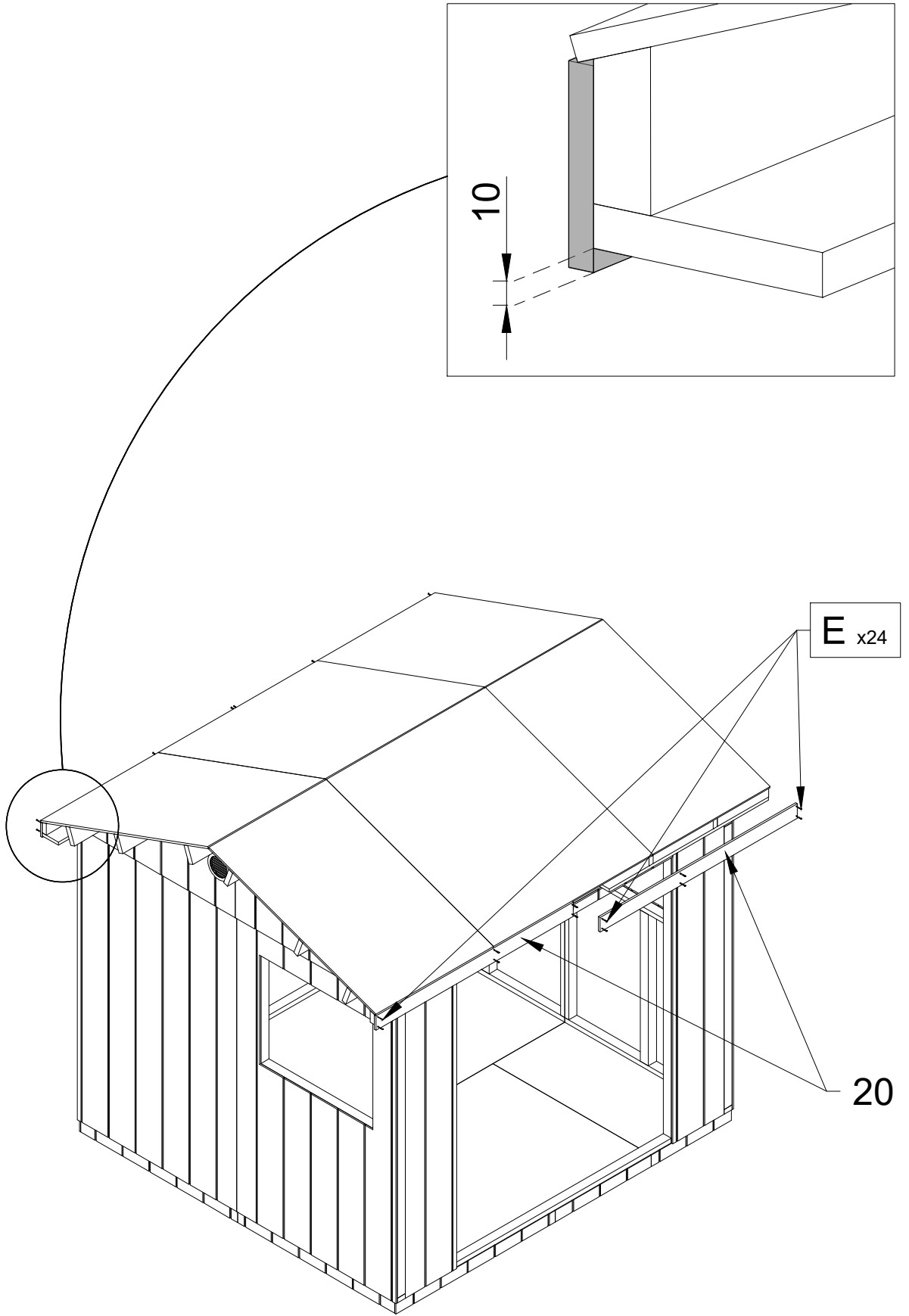


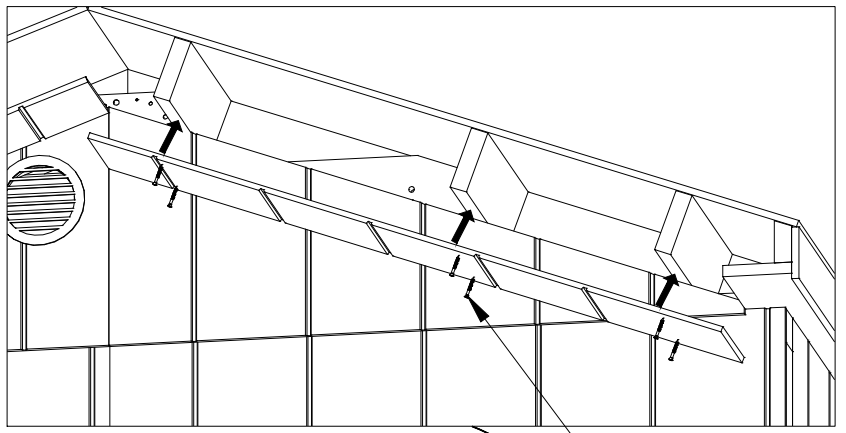
45

D x48

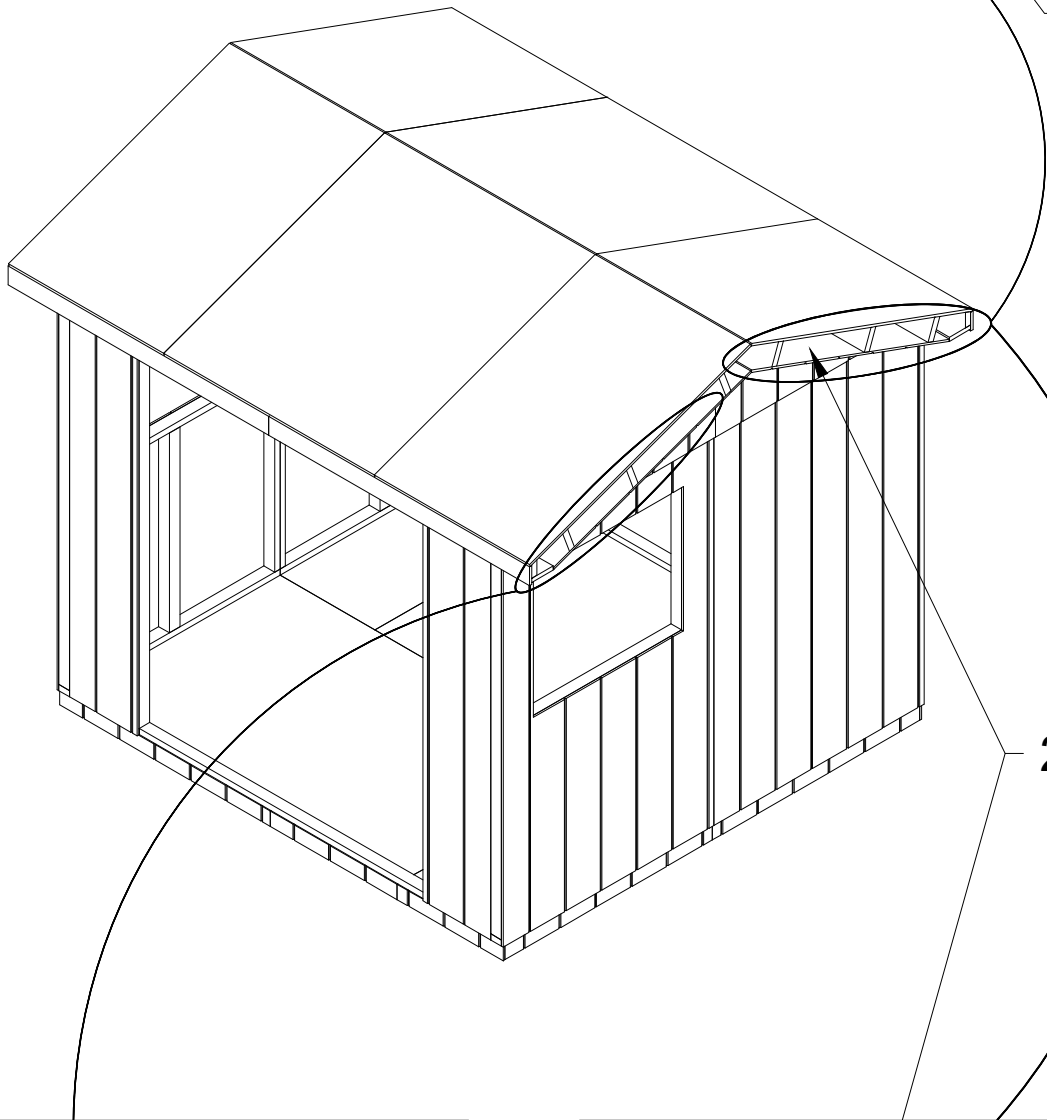




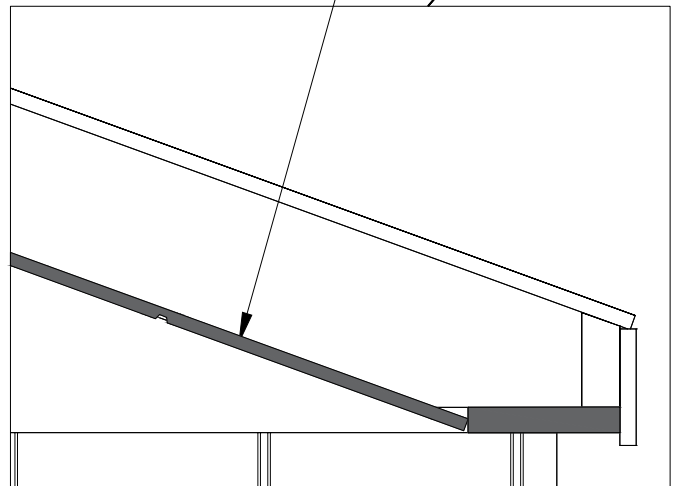
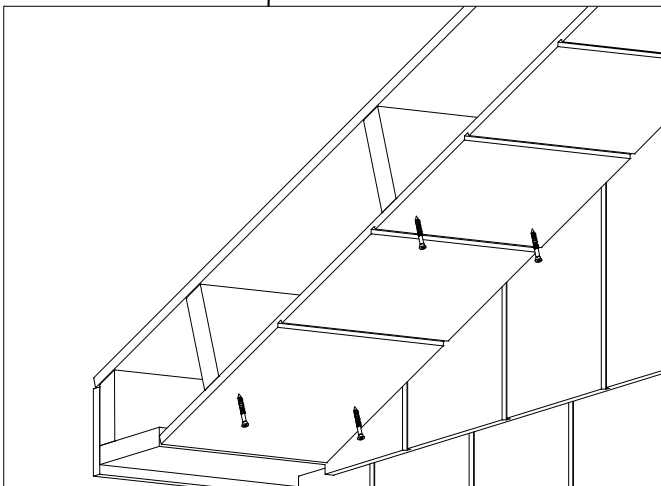


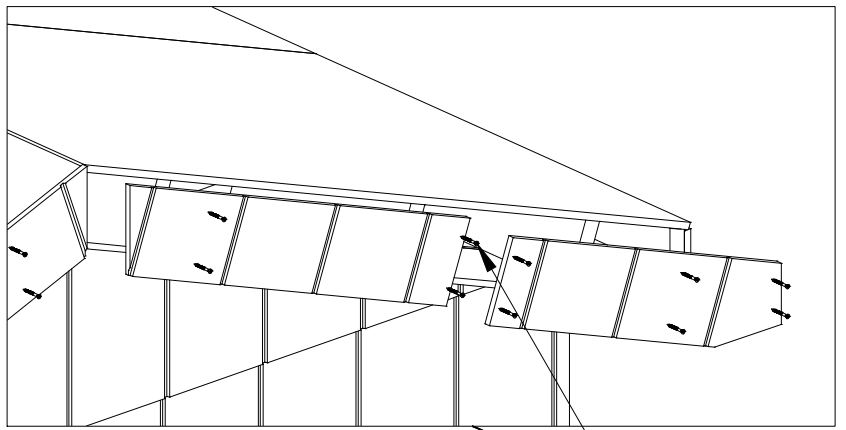


E x24

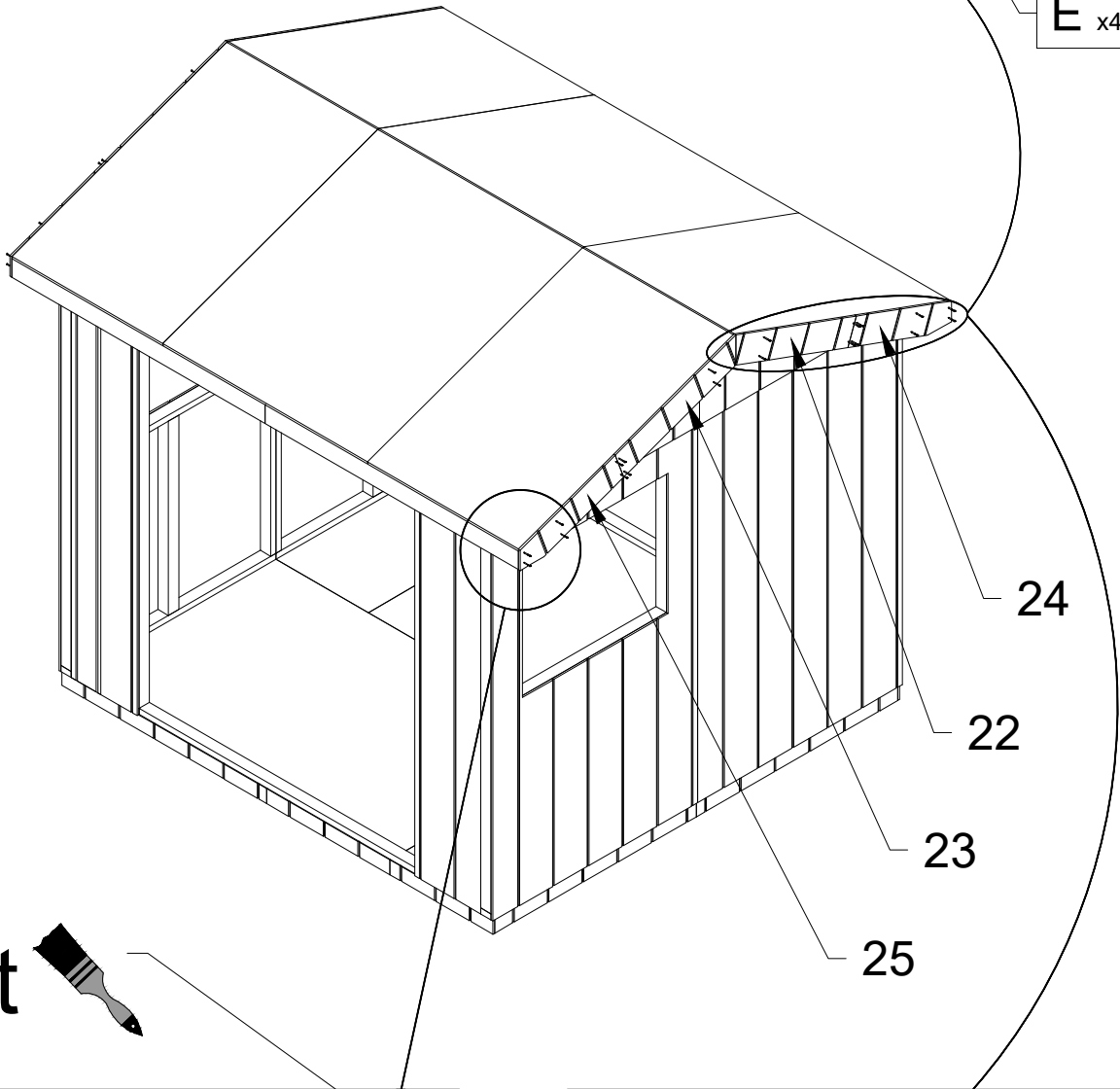


21

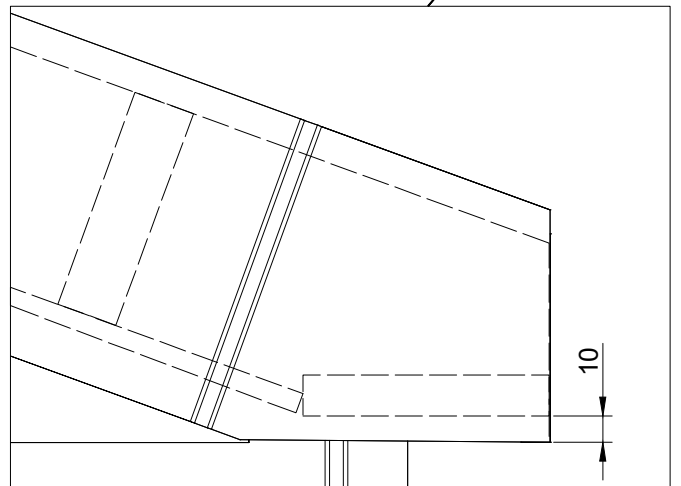
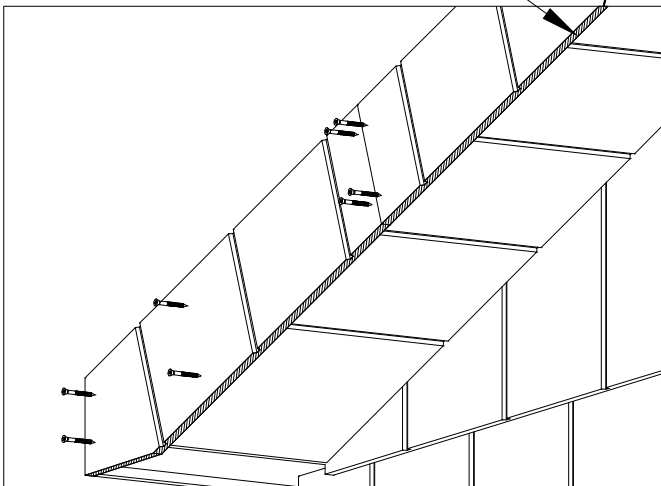
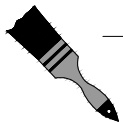


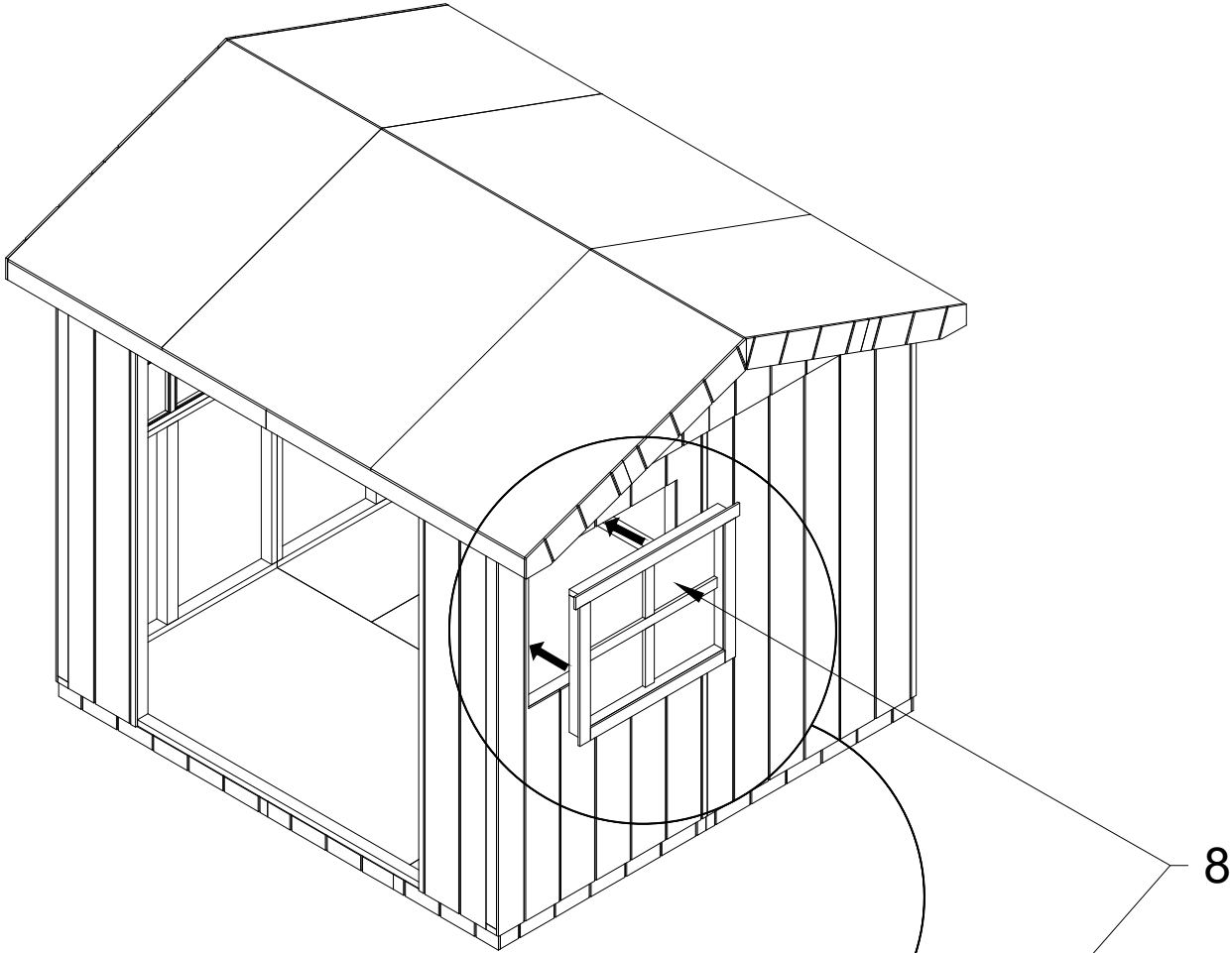


E x40

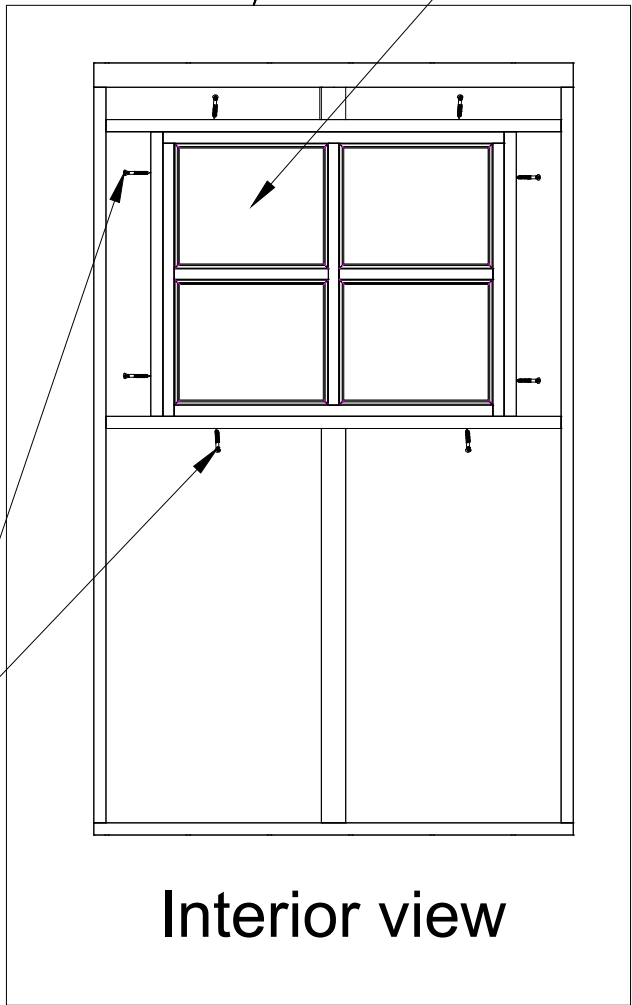


paint



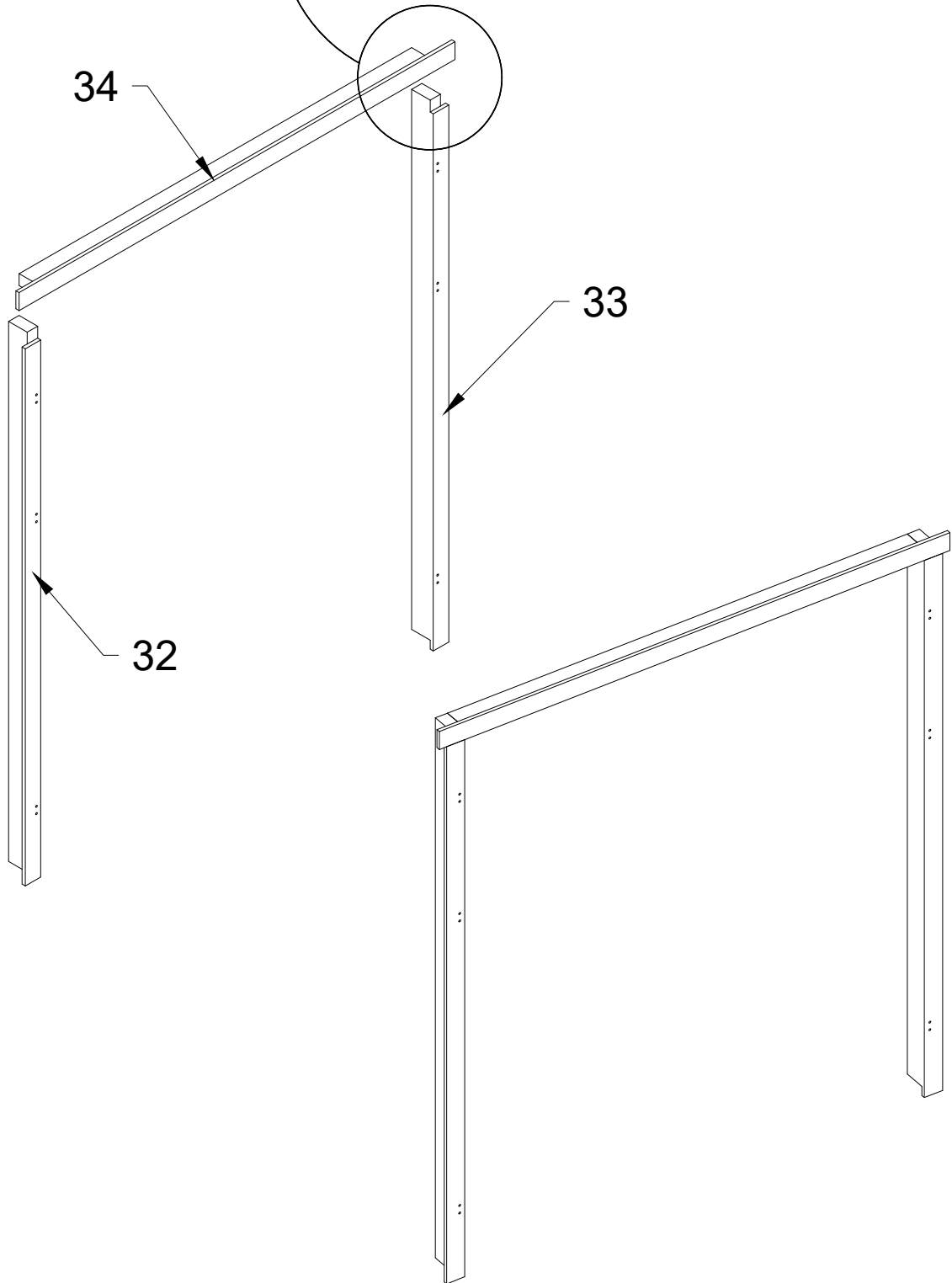
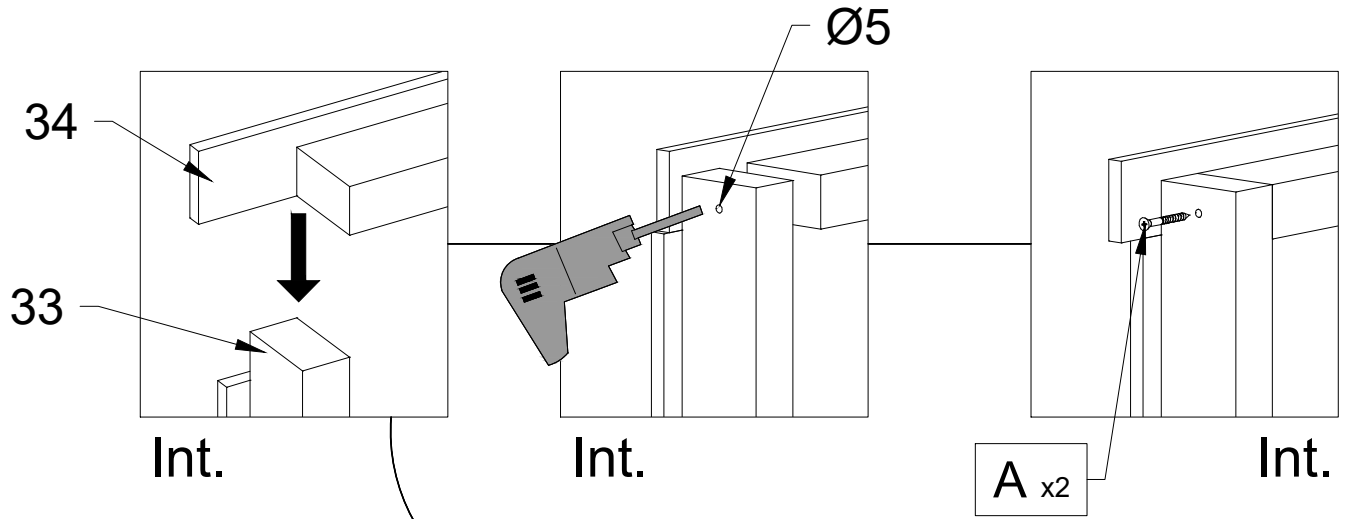


8

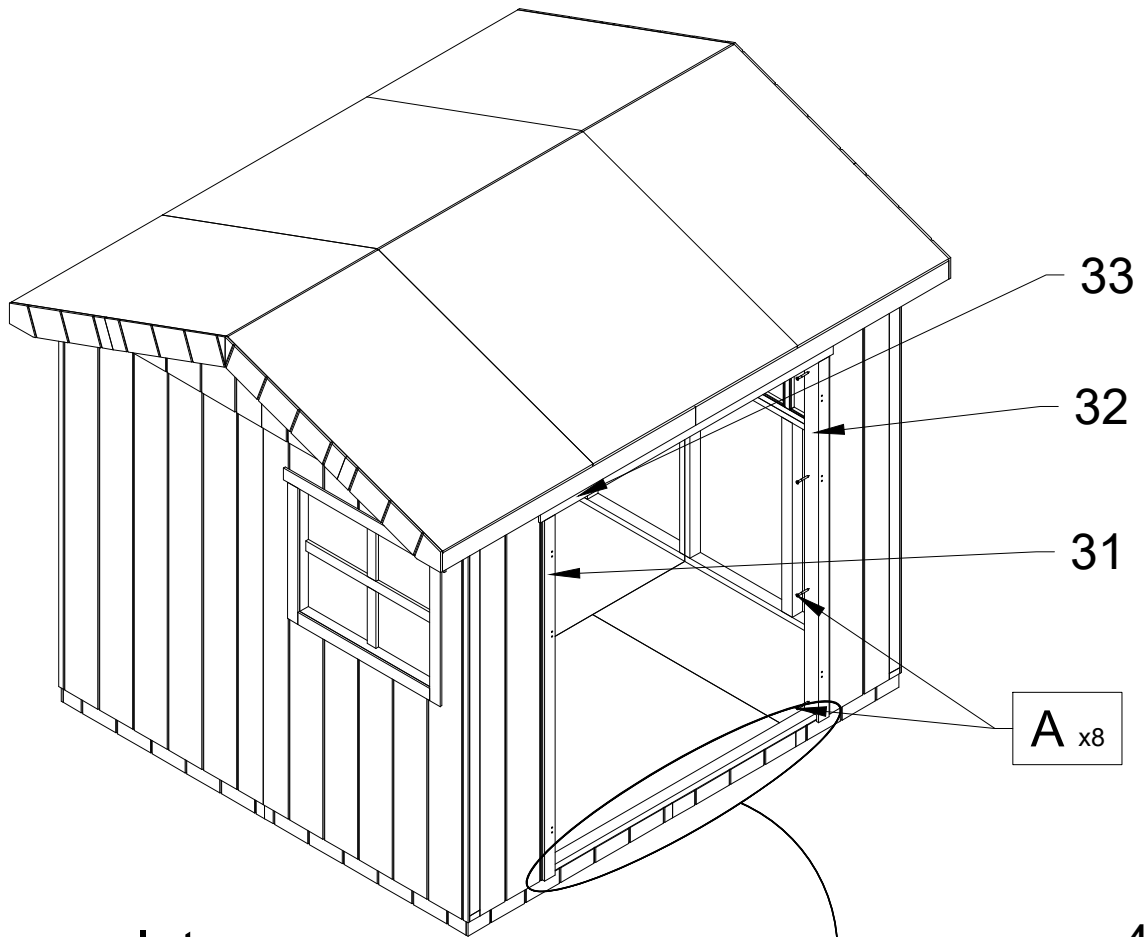
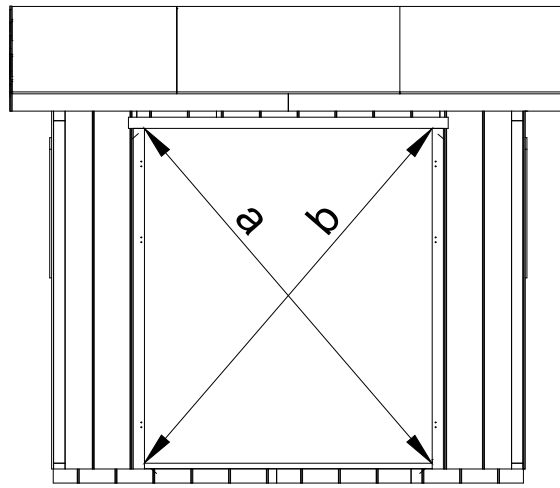


C x16

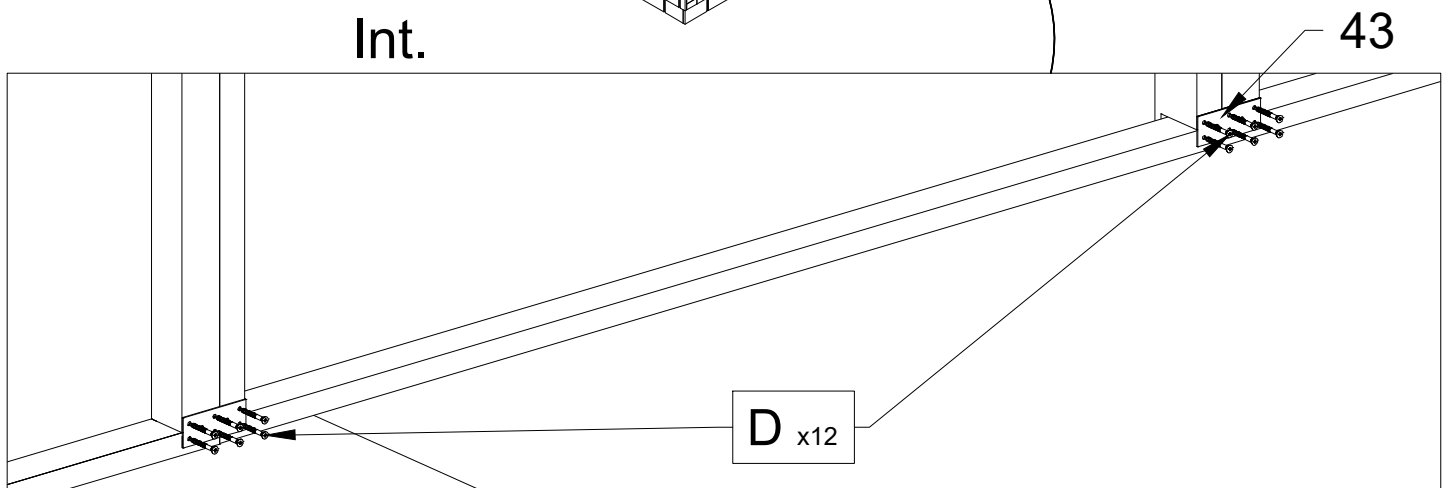
Interior view



a=b



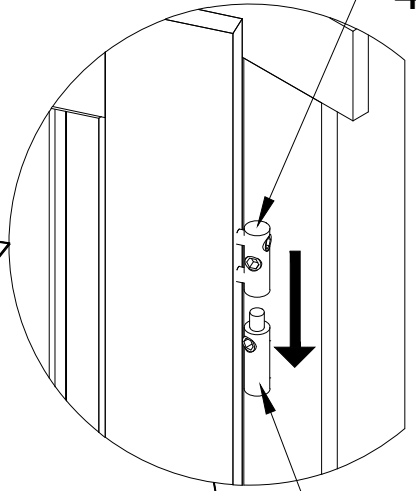
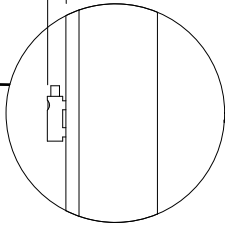
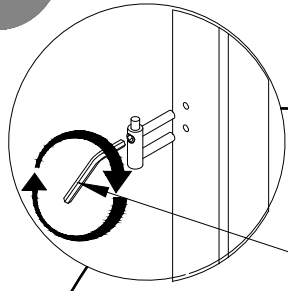
Int.



21

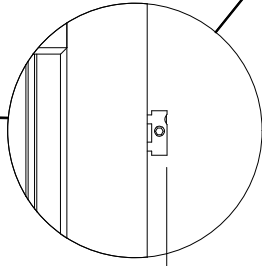
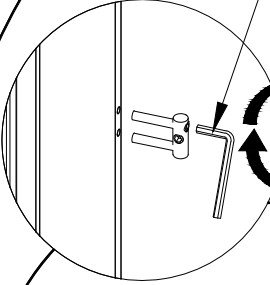
14-19mm

46



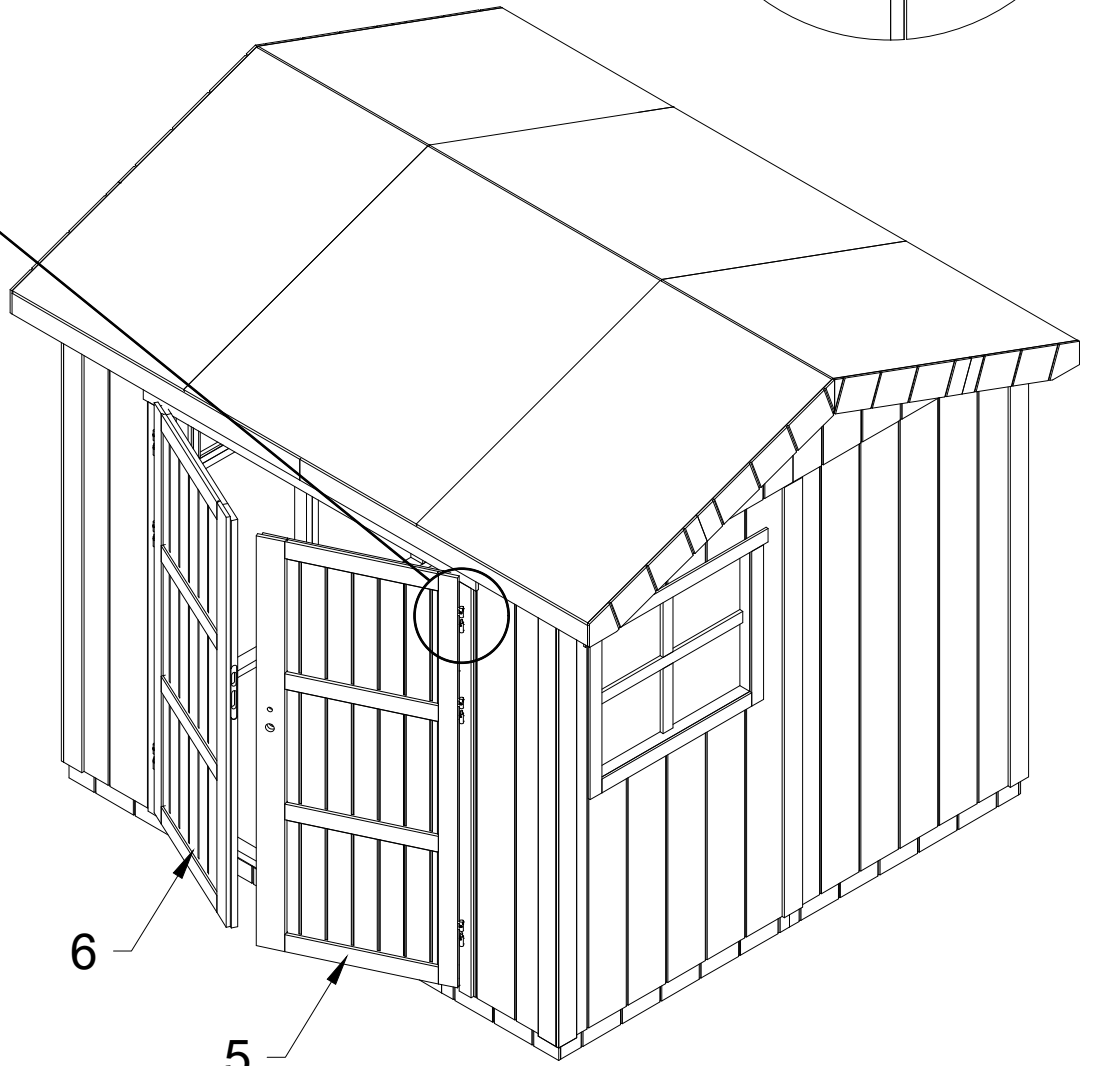
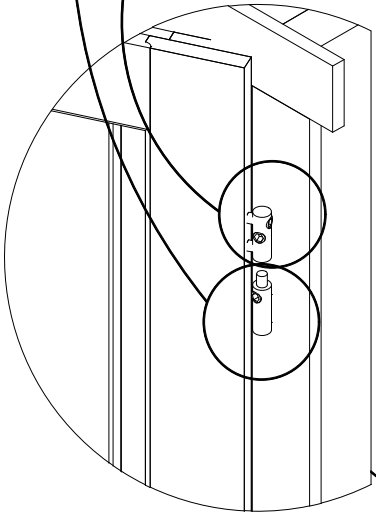
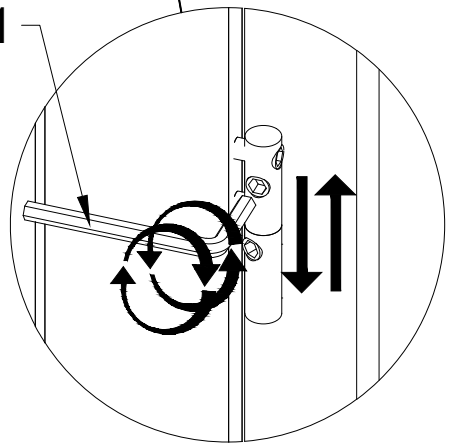
51

47



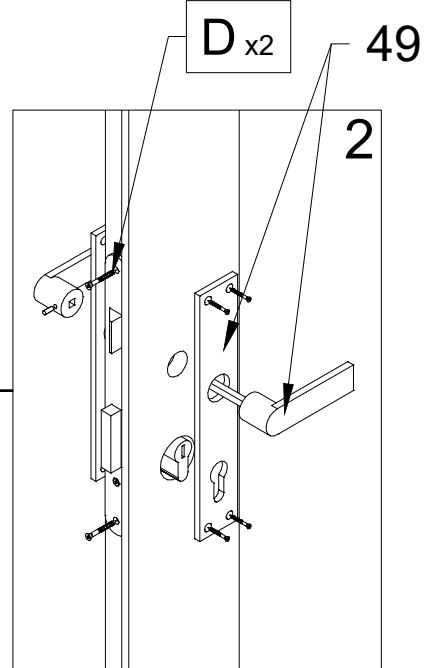
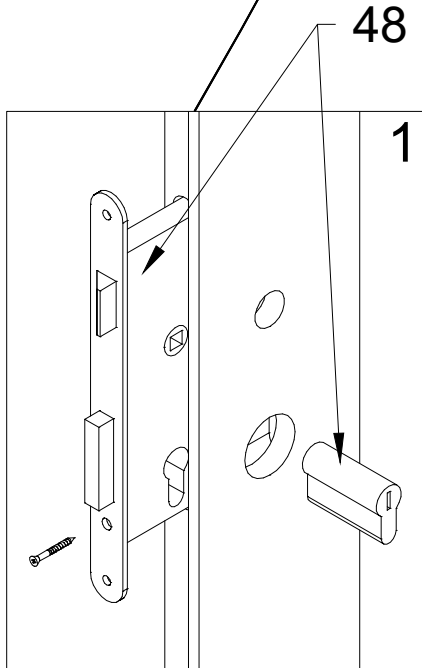
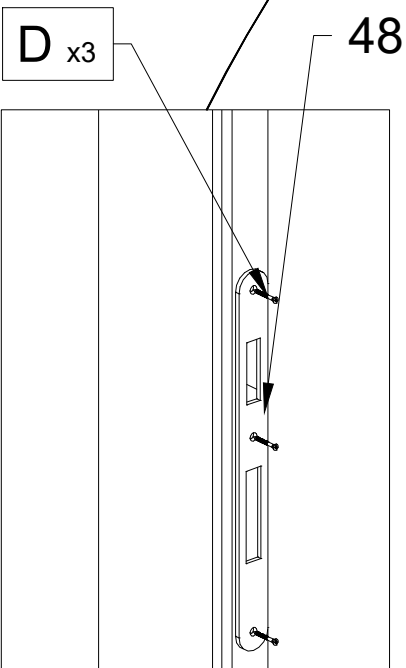
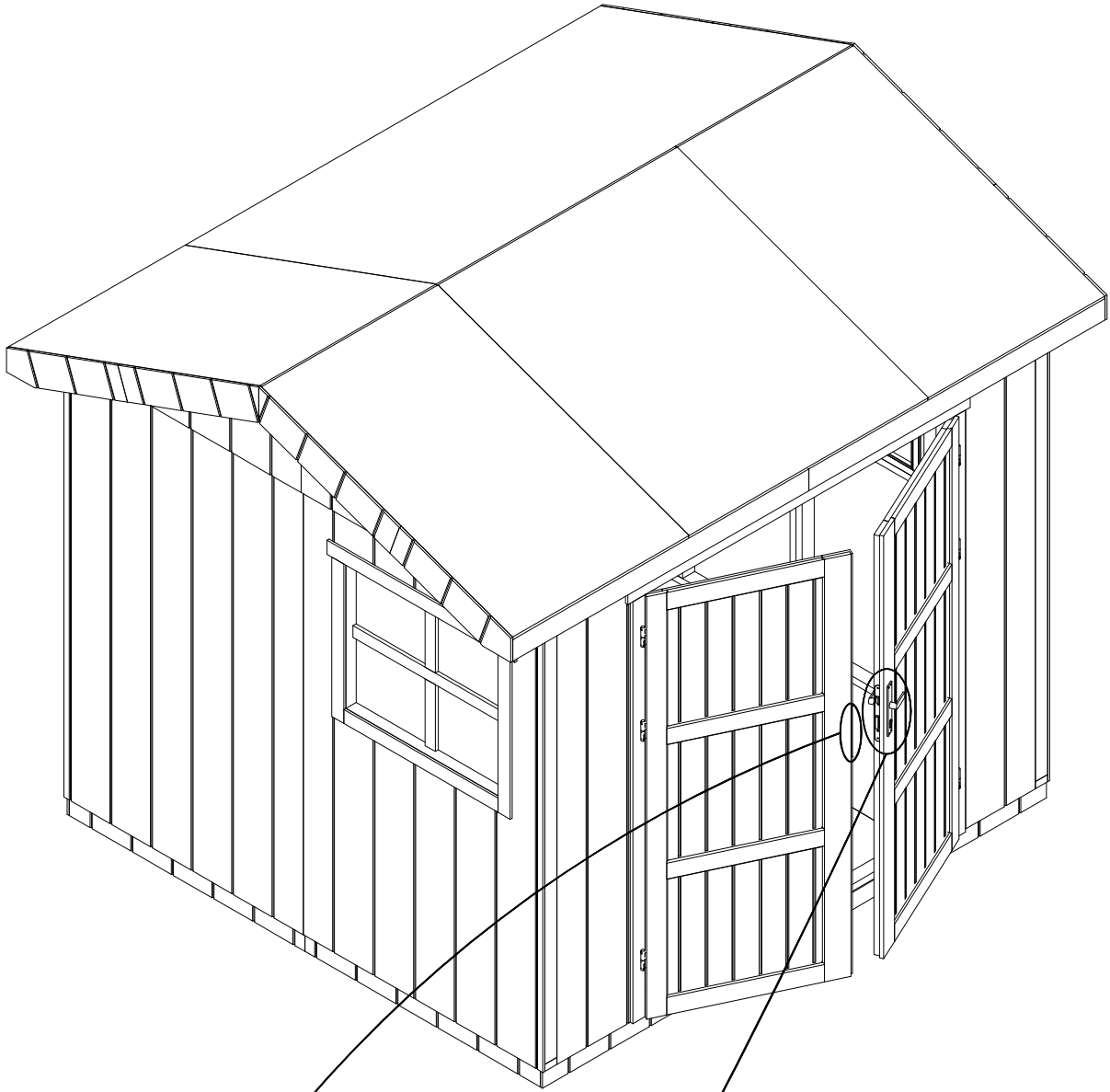
51

14-19mm



6

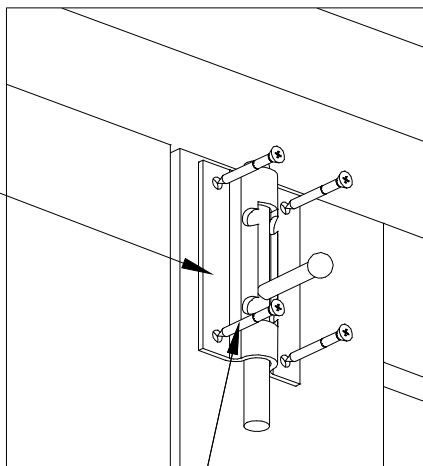
5



23

Int.

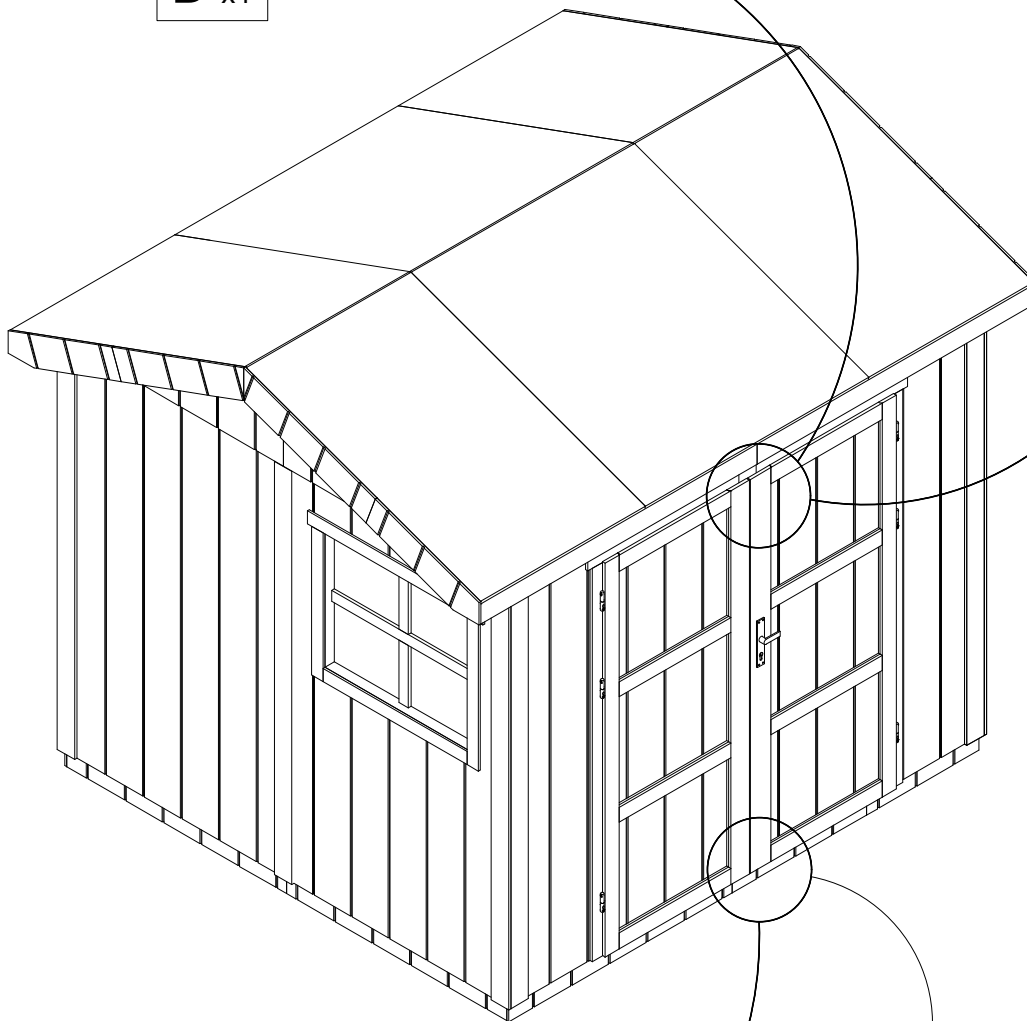
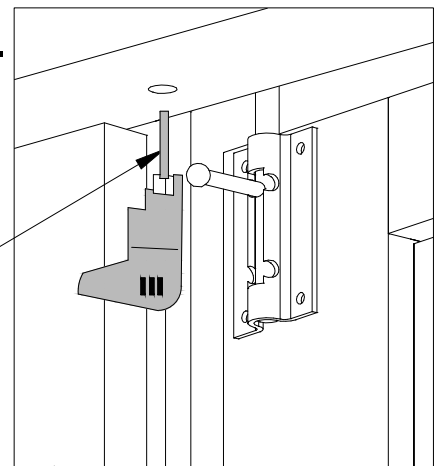
50



D x4

Int.

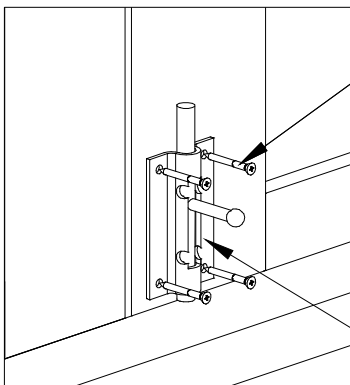
Ø12



Int.

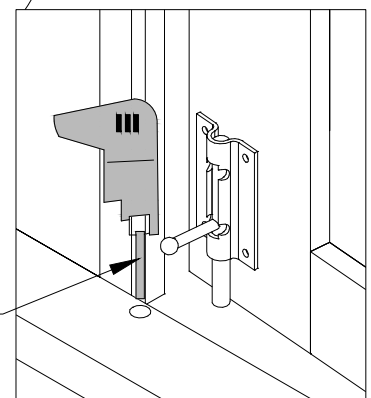
D x4

51



Int.

Ø12

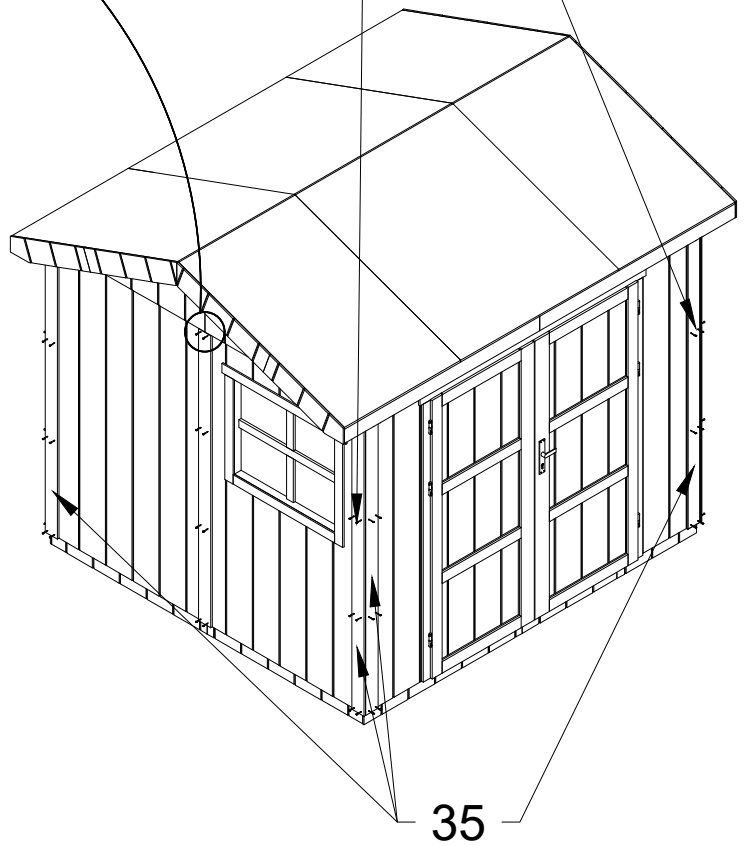
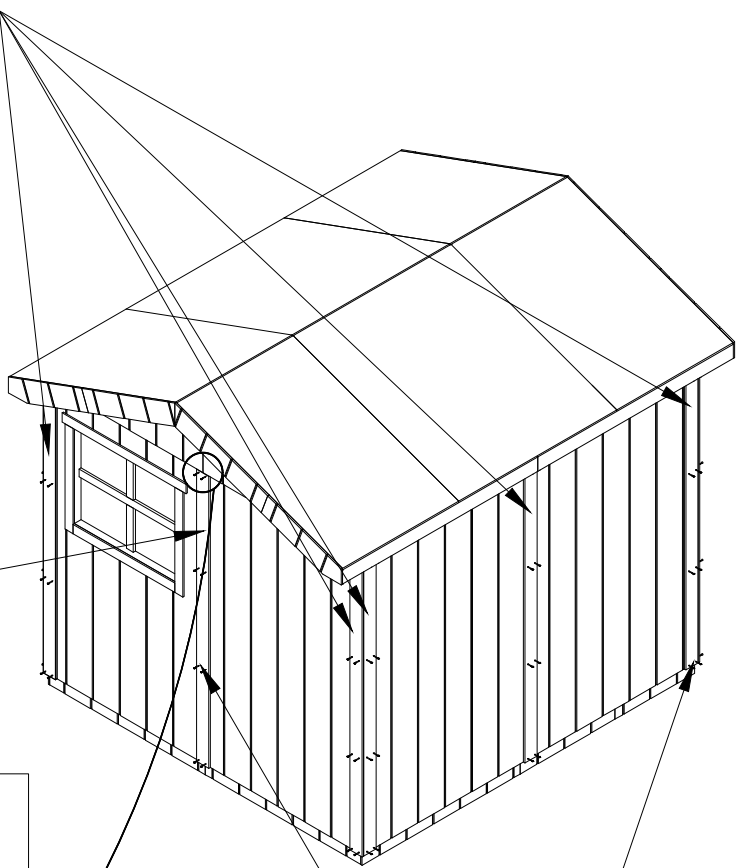
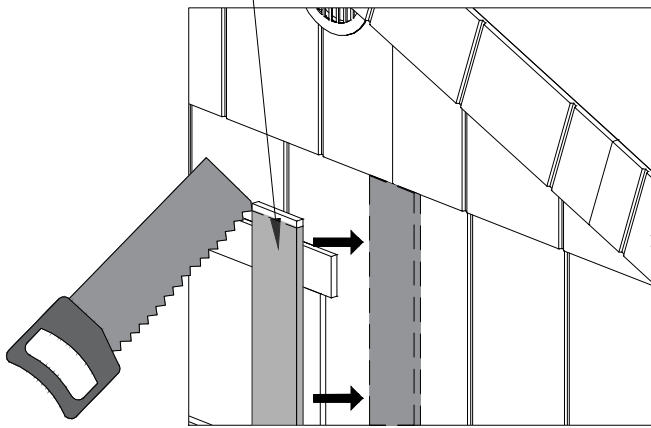


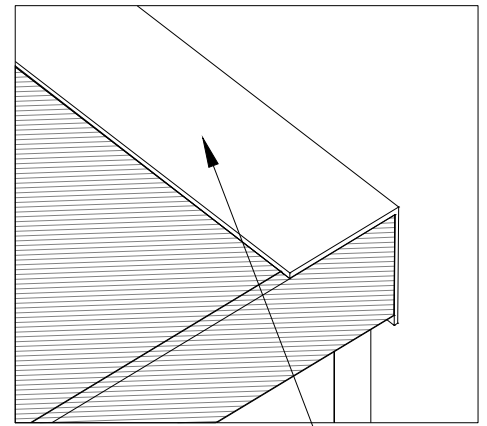
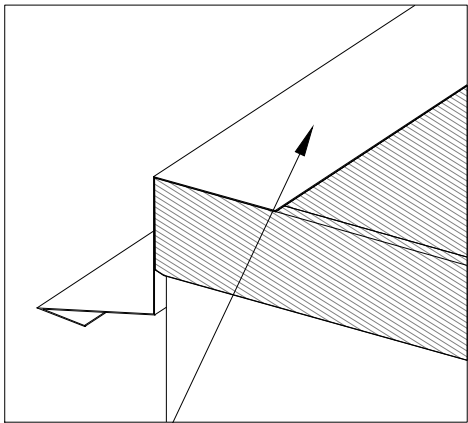
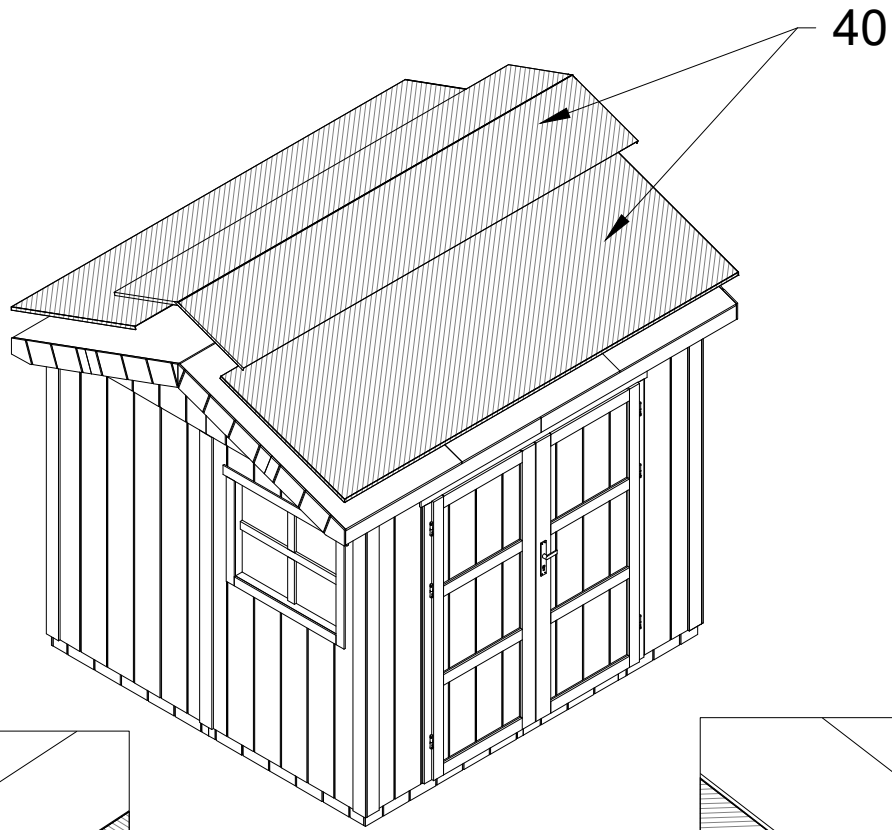
35

35

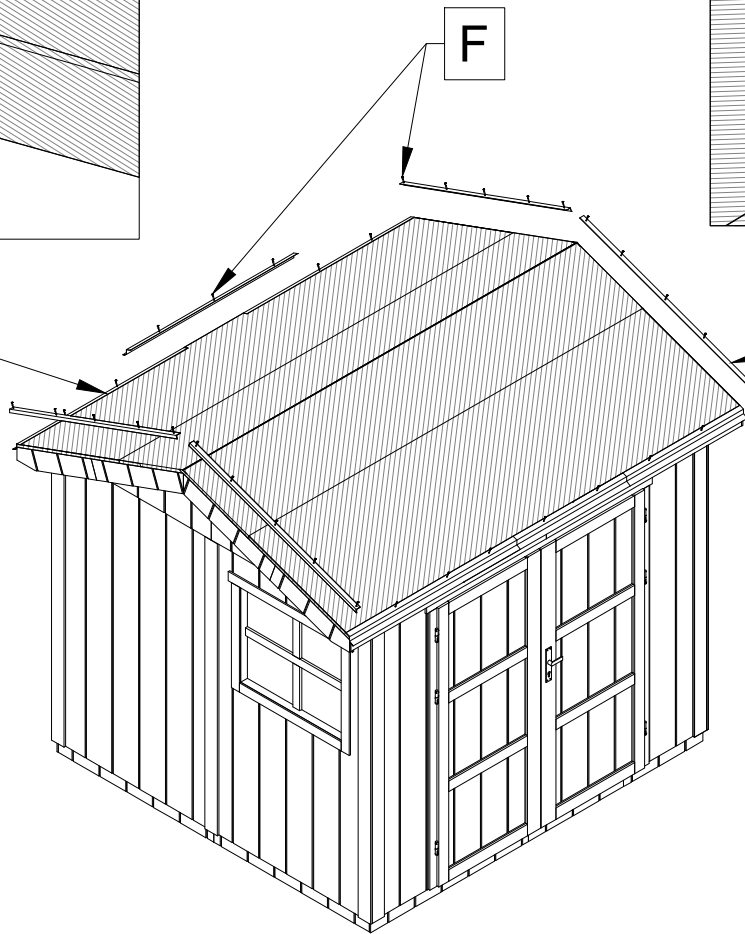
D x 96

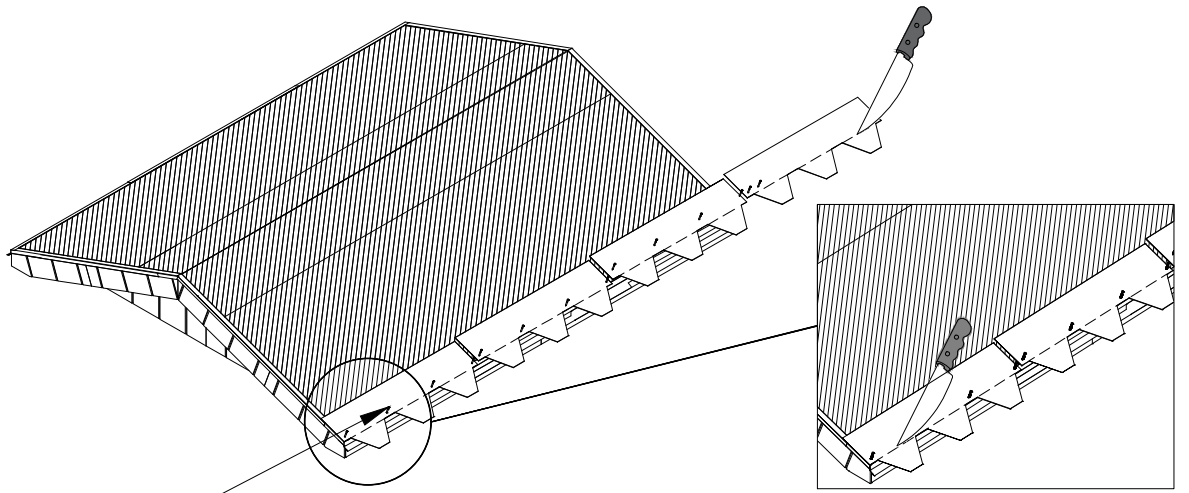
35



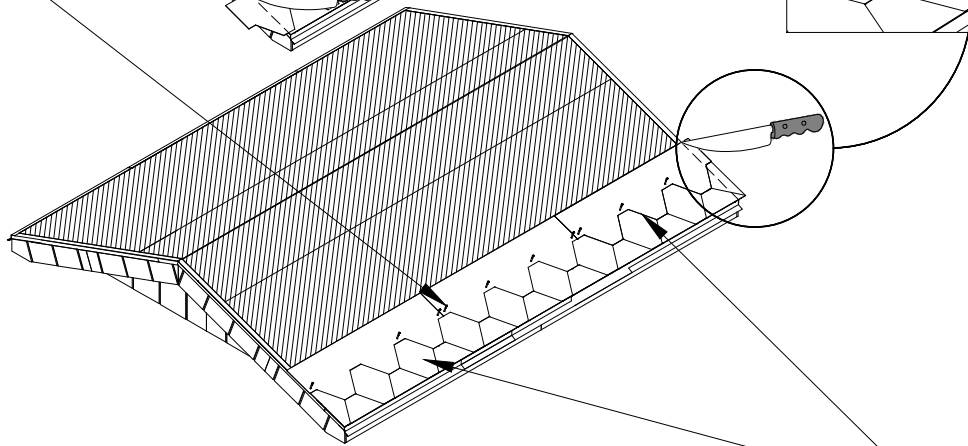
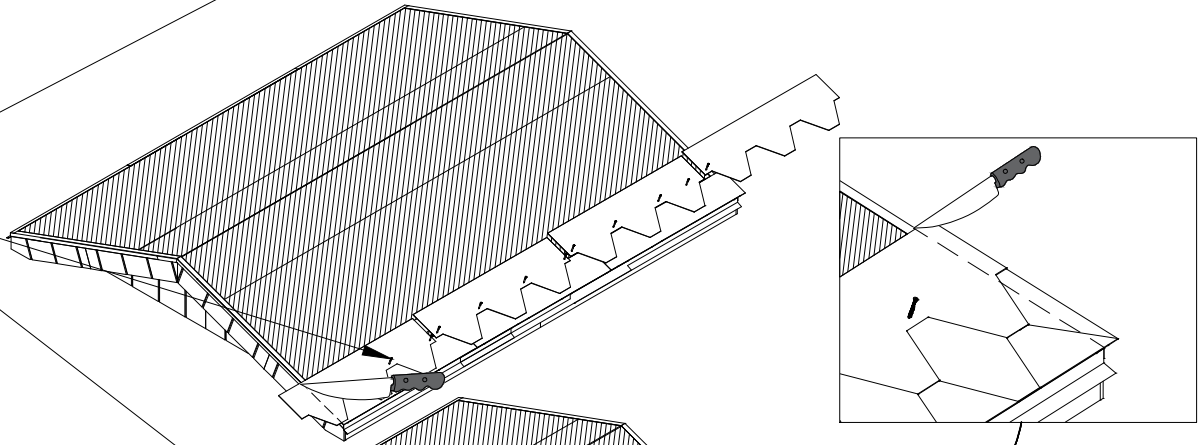


F

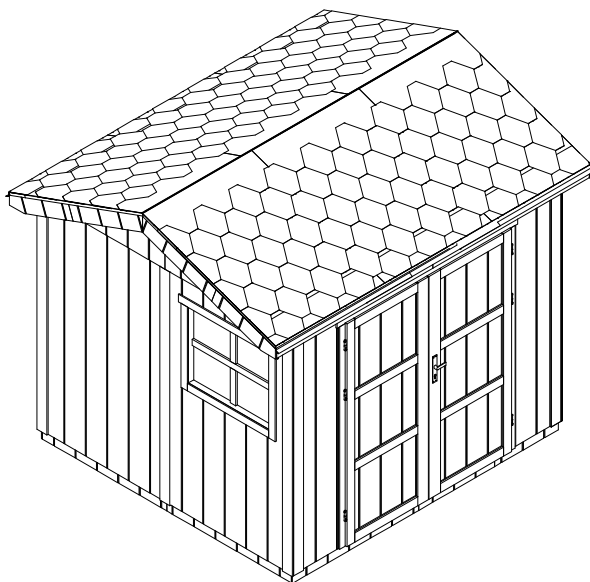


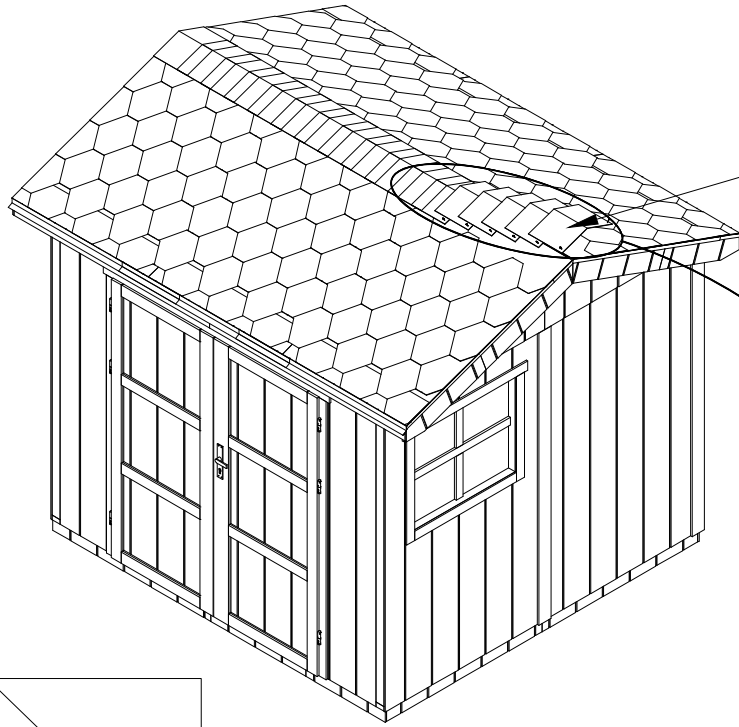


F

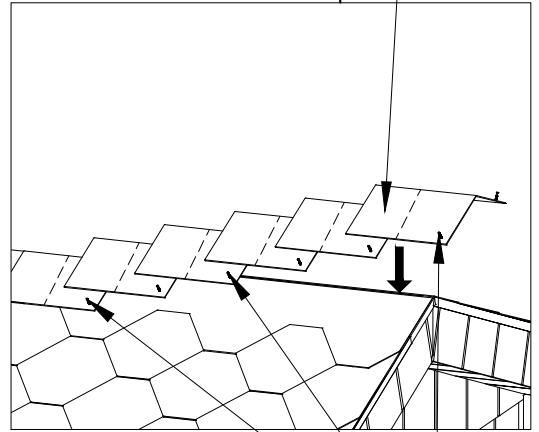
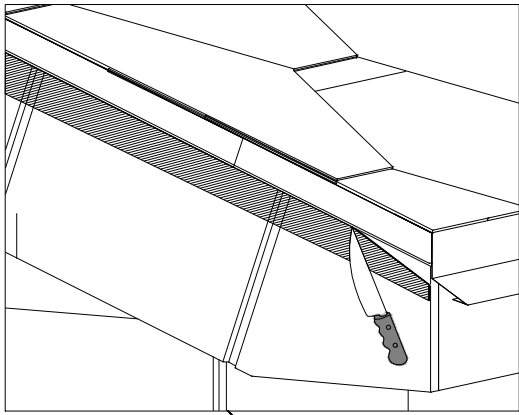


38





39



MAX
120 kg/m²



F

